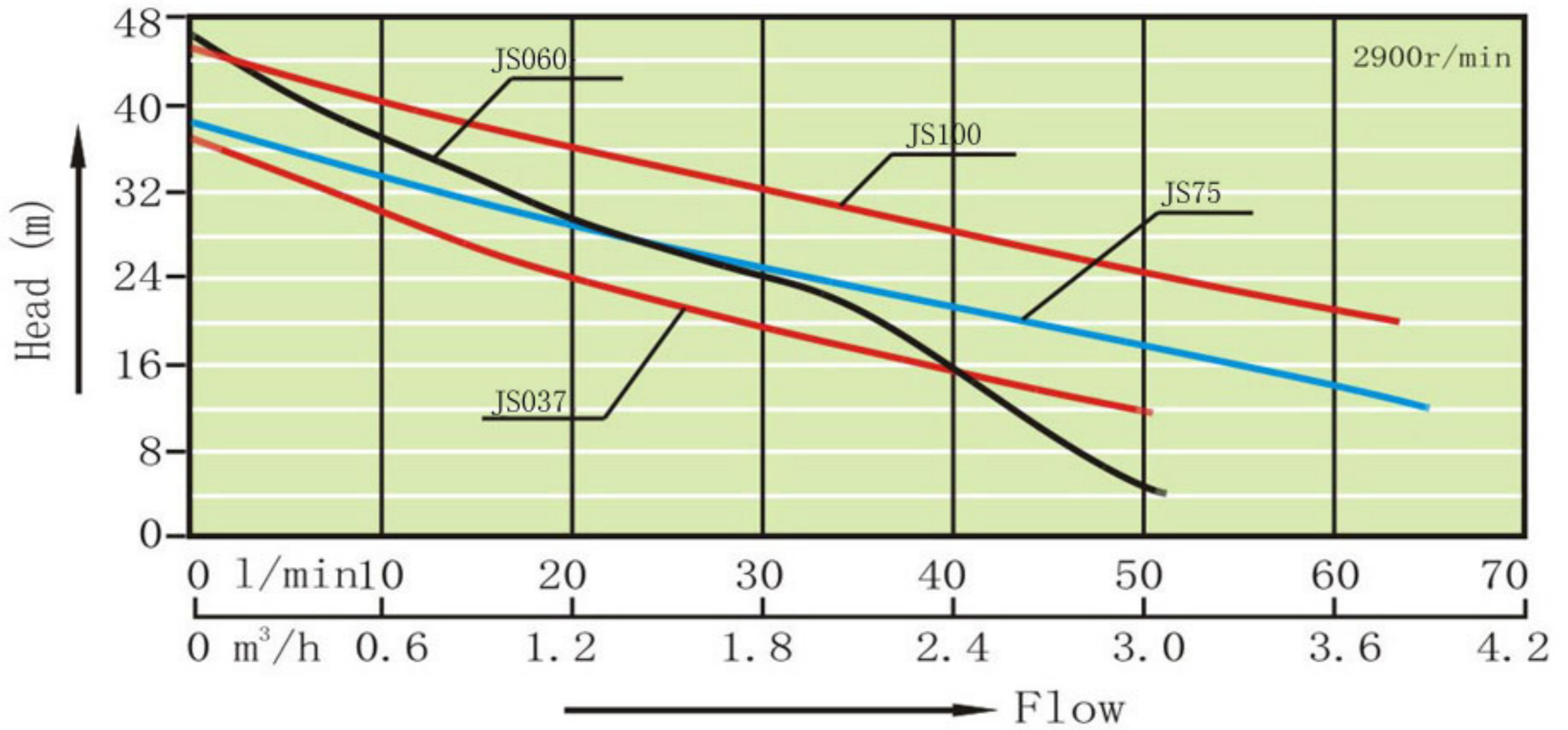
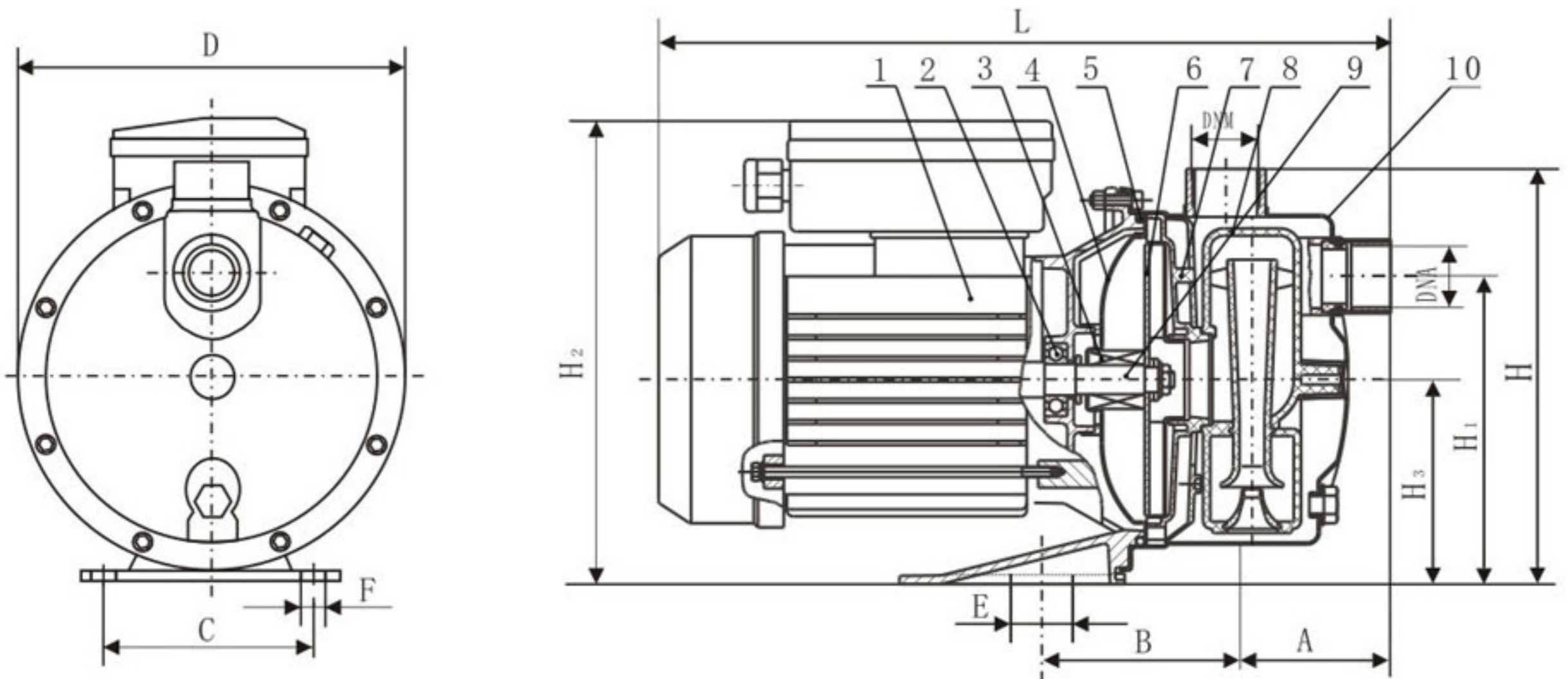


Performance curve



Installation Structure



1. Motor
2. Bearing
3. Mechanical Seal
4. Pump cover
5. O-ring

6. Impeller
7. Guide plate
8. Ejector
9. Pump shaft
10. Pump casing

Model		Power P_2 (W)	A	B	C	D	E	F	H	H_1	H_2	H_3	L	DNA	DNM	(Kg)	Packing size (mm)	Qty/20'
220V/50Hz	380V/50Hz																	
JS037	JS037T	370	88	109	100	170	7	7	178	128	195	88	365	1	1	6.0	385×205×230	1650
JS060	JS060T	550	88	109	100	170	7	7	178	128	208	88	388	1	1	7.0	420×205×245	1332
JS75	JS75T	550	80	80	98	184	20	10	203	157.5	202	98	354	1	1	8.0	385×200×280	1320
JS100	JS100T	750	80	80	98	184	20	10	203	157.5	202	98	354	1	1	9.0	385×200×280	1320

220V/60Hz, 110V/60Hz models are available on request