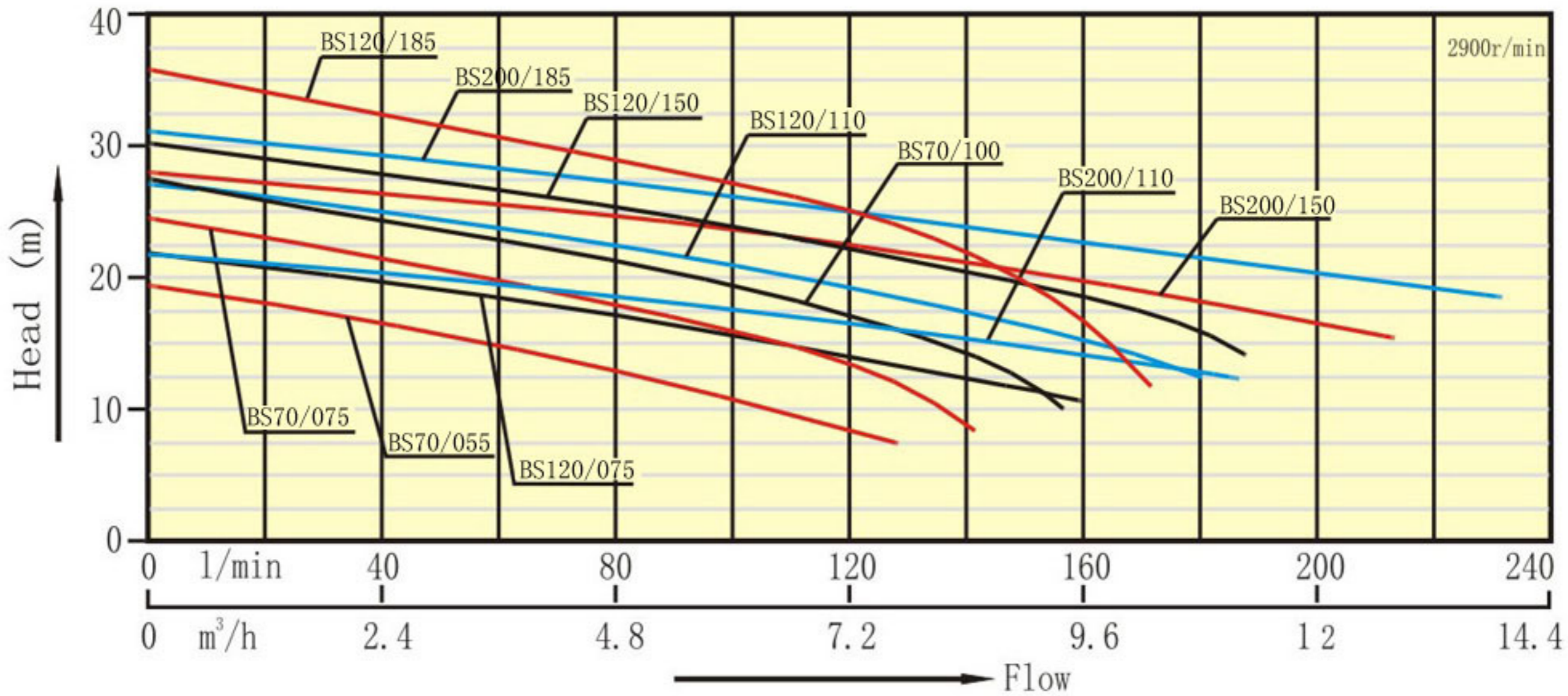
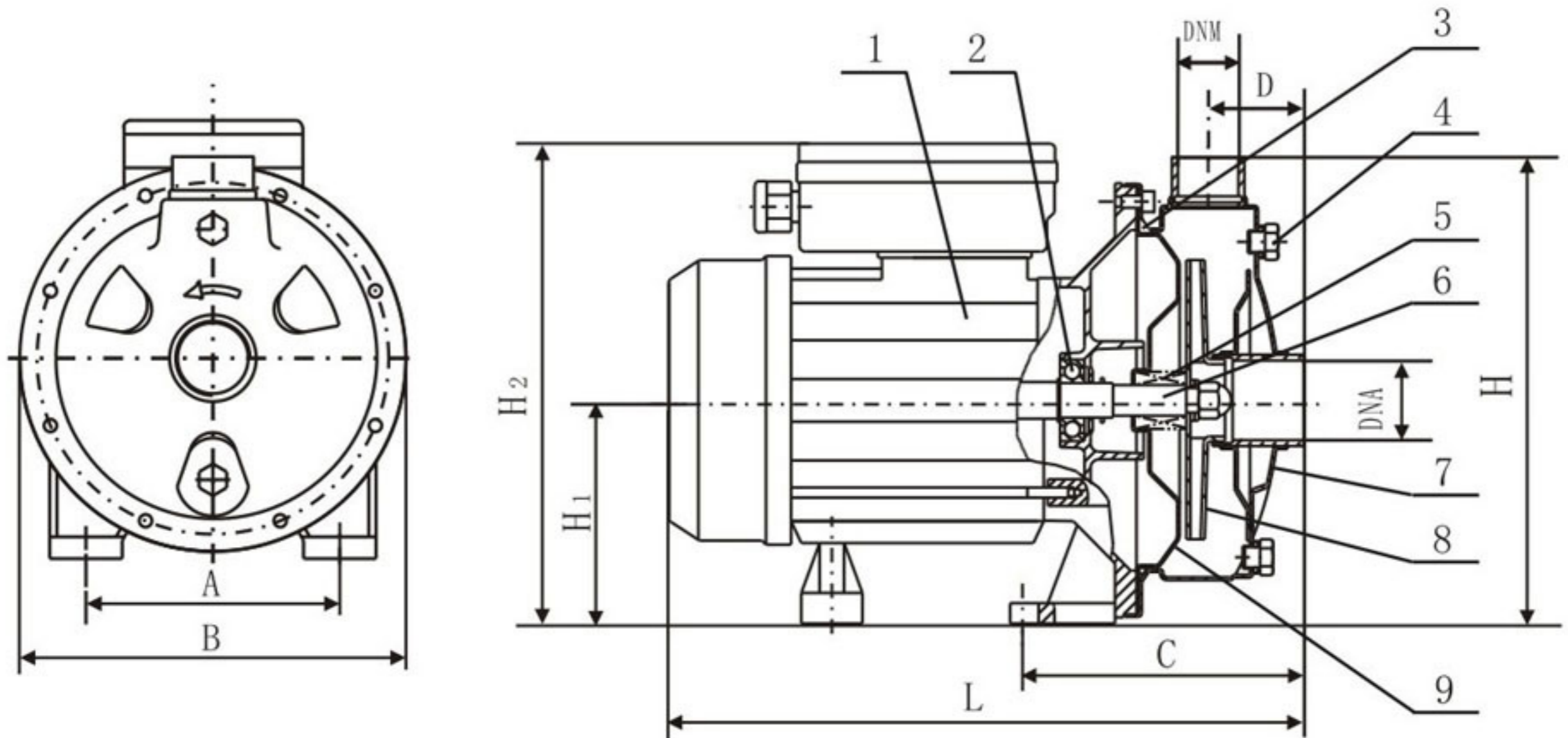


# Performance curves



# Installation Structure



- 1. Motor
- 2. Bearing
- 3. O-ring
- 4. Plug
- 5. Mechanical Seal

- 6. Pump shaft
- 7. Pump casing
- 8. Impeller
- 9. Pump cover

Model		Power P <sub>2</sub> (W)	A	B	C	D	H	H <sub>1</sub>	H <sub>2</sub>	L	DNA	DNM	(Kg)	Packing size (mm)	Qty/20'
220V/50Hz	380V/50Hz														
BS70/055	BS70/055T	550	140	213	138	47	222	110	242	313	1 <sup>1</sup> / <sub>4</sub>	1	12.5	360×245×280	1152
BS70/075	BS70/075T	750	140	213	138	47	222	110	242	313	1 <sup>1</sup> / <sub>4</sub>	1	13	360×245×280	1152
BS70/100	BS70/100T	1000	140	213	138	47	222	110	242	313	1 <sup>1</sup> / <sub>4</sub>	1	15.5	360×245×280	1152
BS120/075	BS120/075T	750	140	213	138	47	222	110	242	313	1 <sup>1</sup> / <sub>4</sub>	1	13.5	360×245×280	1152
BS120/110	BS120/110T	1100	140	213	138	47	222	110	242	313	1 <sup>1</sup> / <sub>4</sub>	1	15.5	385×245×280	1080
BS120/150	BS120/150T	1500	150	234	140	49	240	120	251	337	1 <sup>1</sup> / <sub>4</sub>	1	18.5	420×260×295	763
BS120/185	BS120/185T	1850	150	234	140	49	240	120	251	373	1 <sup>1</sup> / <sub>4</sub>	1	22	420×260×295	763
BS200/110	BS200/110T	1100	140	213	138	47	222	110	255	366	1 <sup>1</sup> / <sub>2</sub>	1 or 1 <sup>1</sup> / <sub>4</sub>	16	385×245×280	1080
BS200/150	BS200/150T	1500	140	213	138	47	222	110	255	366	1 <sup>1</sup> / <sub>2</sub>	1 or 1 <sup>1</sup> / <sub>4</sub>	19	420×260×295	763
BS200/185	BS200/185T	1850	140	213	138	47	222	110	255	366	1 <sup>1</sup> / <sub>2</sub>	1 or 1 <sup>1</sup> / <sub>4</sub>	21.5	420×260×295	763

220V/60Hz, 110V/60Hz models are available on request