

performance table1

Pump Model PA	flow		H	RPM	power		motor Model	efficiency	NPSH	Impeller Dia	diameter		cone pipe	weight
	m <sup>3</sup> /h	L/s	m	r/min	Shaft	motor					inlet	outlet		
					kw	kw	%	m	mm	mm	mm	mm	kg	
PA32/13	9	2.5	24.5	2900	1.23	1.5	Y90L-2	49	1.8	139	50	32	50	27.5
	15	4.17	22		1.47	2.2	2.2KW	61	2.0					
	18	5	20		1.58	2.2		62	2.5					
PA32/13 A	8.5	2.36	21.2		1.04	1.5	Y90L-2	47	1.8	130				
	14	3.89	19		1.23	1.5	2.2KW	59	1.95					
	17	4.72	17.2		1.31	2.2		60.5	2.3					
PA32/13 B	7.8	2.17	18		0.89	1.1	Y90S-2	43	1.8	120				
	13	3.61	16.2		1.01	1.1	1.5KW	56.5	1.88					
	15.5	4.31	14.7		1.07	1.5		58	2.08					
PA32/16	11	3.05	40		2.49	3	Y132S <sub>1</sub> -2	48	1.9	174				
	18	5.0	37		3.18	4	5.5KW	57	2.0					
	22	6.11	34		3.51	5.5		58	2.6					
PA32/16 A	10.5	2.92	35.7		2.22	3	Y112M-2	46	1.9	165				
	17	4.72	33		2.78	3	4KW	55	1.95					
	21	5.83	30		3.06	3		56	2.4					
PA32/16 B	9.8	2.72	31.4		1.93	2.2	Y112M-2	43.5	1.9	155				
	16	4.44	29		2.38	3	4KW	53	1.95					
	19.5	5.42	26.5		2.61	4		54	2.2					
PA32/20	11	3.05	63		4.71	5.5	Y160M <sub>1</sub> -2	40	1.8	214				
	18	5.0	59		5.9	7.5	11KW	49	2					
	22	6.11	55.5		6.52	11		51	2.3					
PA32/20 A	10.5	2.92	57.2		4.24	5.5	Y132S <sub>2</sub> -2	38.6	1.8	205				
	17	4.72	54		5.26	7.5	7.5KW	47.5	1.95					
	21	5.83	50.2		5.79	7.5		49.5	2.2					
PA32/20 B	10	2.78	51.5	3.69	5.5	Y132S <sub>2</sub> -2	38	1.8	195					
	16.5	4.58	48	4.5	7.5	7.5KW	46.8	1.9						
	20	5.56	45	5.03	7.5		48.8	2.15						
PA32/26	14	3.89	99	11.27	15	Y160L-2	33.5	2.1	264					
	22	6.11	95	13.23	15	18.5KW	43	2.2						
	26	7.22	92	14.47	18.5		45	2.6						
PA32/26 A	13.5	3.75	91.8	10.75	15	Y160M <sub>2</sub> -2	31.4	2.1	255					
	21	5.83	88	12.58	15	15KW	40	2.2						
	25	6.94	85	13.6	15		42.5	2.5						
PA32/26 B	13	3.61	84.5	9.97	15	Y160M <sub>2</sub> -2	30	2.15	245					
	20.5	5.69	81	11.74	15	15KW	38.5	2.16						
	24	6.67	78.4	12.63	15		40.6	2.38						

pump model PA	flow		H	RPM	power		motor Model	efficiency	NPSH	impeller diameter	diameter		cone pipe	weight
	m <sup>3</sup> /h	L/s			m	r/min					kw	kw		
			inlet	outlet										
PA40/13	18	5	25.5	2900	2.08	2.2	Y112M-2	60	1.8	139	65	40	65	30
	30	8.33	23.5		2.74	3	4KW	70	2					
	36	10	21.5		3.03	4		69.5	2.4					
PA40/13 A	16.8	4.67	22		1.8	2.2	Y112M-2	56	1.8	130				
	28	7.78	20.2		2.3	3	4KW	67	2					
	33.6	9.33	18.8		2.56	4		67.2	2.25					
PA40/13 B	15.5	4.31	18.5		1.48	1.5	Y100L-2	53	1.8	120				
	26	7.22	17		1.85	2.2	3KW	65	1.9					
	31	8.61	15.5		2.01	3		65	2.15					
PA40/16	18	5	39.5		3.65	5.5	Y132S <sub>2</sub> -2	53	2.1	175	65	40	65	36
	30	8.33	35		4.47	5.5	7.5KW	64	2.5					
	36	10	31.5		4.9	7.5		63	3.6					
PA40/16 A	17	4.72	34.8		3.16	4	Y132S <sub>1</sub> -2	51	2.1	165				
	28.5	7.92	30.5		3.82	5.5	5.5KW	62	2.5					
	34	9.44	27.6		4.19	5.5		61	3.25					
PA40/16 B	16	4.44	30.5		2.77	4	Y112M-2	48	2.05	155				
	26.5	7.4	27		3.29	4	4KW	49.5	2.4					
	32	8.89	24		3.55	4		59	2.9					
PA40/20	18	5	63		6.3	7.5	Y160M <sub>1</sub> -2	49	1.8	214	65	40	65	44
	30	8.33	58		8.17	11	11KW	58	2					
	36	10	53		8.96	11		58	2.7					
X40/20 A	17	4.72	57.4		5.72	7.5	Y160M <sub>1</sub> -2	46.4	1.8	205				
	29	8.06	52.4		7.46	11	11KW	55.5	1.95					
	34.5	9.58	48		8.05	11		56	2.45					
PA40/20 B	16.5	4.58	51.8	5.28	5.5	Y160M <sub>1</sub> -2	44	1.8	195					
	27.5	7.64	47.5	6.71	7.5	11KW	53	1.9						
	33	9.17	43.3	7.24	11		53.8	2.2						
PA40/26 PA40/26H	20	5.56	97	13.22	15	Y160L-2	40	1.8	264	65	40	65	61	
	33	9.17	92	16.22	18.5	18.5KW	51	2.0						
	40	11.11	87	17.88	22		53	2.5						
PA40/26A PA40/26AH	19.5	5.42	89	12.28	15	Y160L-2	38.5	1.8	255					
	32	8.89	84	15.09	18.5	18.5KW	48.5	1.95						
	38.5	10.7	79.5	16.35	18.5		51	2.35						
PA40/26B PA40/26BH	18.5	5.14	82	11.17	15	Y160L-2	37	1.8	245					
	30.5	8.47	78	13.78	15	18.5KW	47	1.9						
	37	10.28	73	15.02	18.5		49	2.2						

pump model PA	flow		H	RPM	power		motor Model	efficiency	NPSH	impeller diameter	diameter		cone pipe	weight						
	m <sup>3</sup> /h	L/s			m	r/min					kw	kw			%	m	mm	inlet	outlet	mm
			mm	mm																
PA40/32	21.6	6	155	2900	28.1	30	Y225M-2	32.5	5.05	329	65	40	80	-65	96					
PA40/32G	36	10	147		34.3	37	45KW	42	4.8											
PA40/32H	43.2	12	140		37.4	45		44	5.2											
PA40/32A	20.5	5.7	137		24.7	30	Y200L <sub>2</sub> -2	31	5.05	315										
PA40/32GA	34.5	9.58	130		30.5	37	37KW	40	4.9											
PA40/32HA	41.4	11.5	124		33.3	37		42	5.0											
PA40/32B	19.8	5.5	122		22.3	30	Y200L <sub>2</sub> -2	29.5	5.1	300										
PA40/32GB	32.4	9	117		27.9	30	37KW	37	4.9											
PA40/32HB	39.6	11	112		31	37		39	5.0											
PA40/32C	18.7	5.2	110		20.4	22	Y200L <sub>1</sub> -2	27.5	5.1	285										
PA40/32GC	31.5	8.75	105		25	30	30KW	36	4.9											
PA40/32HC	37.5	10.4	100		26.8	30		38	4.9											
PA40/32D	17.5	4.86	95		18.1	22	Y200L <sub>1</sub> -2	25	5.15	270										
PA40/32GD	29.5	8.2	90		21.3	30	30KW	34	4.9											
PA40/32HD	35.5	9.86	85		22.8	30		36	4.8											
PA40/32E	16.7	4.65	85		16.1	18.5	Y180M-2	24	5.15	255										
PA40/32GE	27.9	7.75	80		18.4	22	22KW	33	4.9											
PA40/32HE	33.5	9.3	75		19.5	22		35	4.9											
PA50/13	36	10	25.5		3.85	5.5	Y132S <sub>2</sub> -2	65	2.5	139						65	50	80	-80	34
	60	16.67	23		4.95	5.5	7.5KW	76	3.2											
	72	20	20.5		5.36	7.5		75	4											
PA50/13 A	33.5	9.31	22	3.19	4	Y132S <sub>1</sub> -2	63	2.5	130											
	56	15.56	19.5	4.02	5.5	5.5KW	74	3.1												
	67.5	18.75	17.2	4.33	5.5		73	3.6												
PA50/13 B	31	8.61	18.5	2.56	3	Y132S <sub>1</sub> -2	61	2.5	120											
	52	14.44	16.5	3.24	4	5.5KW	72	2.9												
	62	17.22	14.8	3.52	5.5		71	3.3												
PA50/16	40	11.11	41.5	7.06	11	Y160M <sub>1</sub> -2	64	2.5	174	65	50	80	-80	34						
	65	18.05	38.	9.09	11	11KW	74	3.5												
	78	21.67	35	10.05	11		74	4.2												
PA50/16 A	38	10.56	37	6.19	7.5	Y160M <sub>1</sub> -2	62	2.5	165											
	61.5	17.1	33.8	7.9	11	11KW	72	3.3												
	74	20.6	31.2	8.75	11		72	3.9												
PA50/16 B	35.5	9.86	32.5	5.24	5.5	Y160M <sub>1</sub> -2	60	2.35	155											
	58	16.11	29.5	6.66	11	11KW	70	3.1												
	69.5	19.31	27	7.36	11		69.5	3.7												

performance table1

pump model PA	flow		H	RPM	power		motor Model	efficiency	NPSH	impeller diameter	diameter		cone pipe	weight				
	m <sup>3</sup> /h	L/s	m	r/min	shaft kw	motor kw					inlet	outlet						
															%	m	mm	mm
PA50/20	36	10.0	62	2900	10.48	15	Y160L-2	58	2.5	214	65	50	80 -80	46				
	60	16.67	56		13.07	15	18.5KW	70	3.2									
	72	20	50		14.42	18.5		68	4									
PA50/20 A	34.5	9.6	56		9.25	11	Y160M <sub>2</sub> -2	57	2.5	205					65	50	80 -80	46
	57.5	16	50.6		11.5	15	15KW	69	3.1									
	69	19.2	45		12.64	15		67	3.75									
PA50/20 B	33	9.1	50.6		8.13	11	Y160M <sub>2</sub> -2	55.5	2.5	195					65	50	80 -80	46
	54.5	15.1	45.6		10	15	15KW	67.5	3									
	65.5	18.2	40.5		11	15		66	3.5									
PA50/26	40	11.11	100		20.17	30	Y200L <sub>2</sub> -2	54	2.5	264					65	50	80 -80	46
PA50/26G	65	18.05	91		25.97	30	37KW	62	3.5									
PA50/26H	78	21.67	82		29.03	37		60	4.2									
PA50/26A	38.5	10.69	92.5		18.29	22	Y200L <sub>1</sub> -2	53	2.4	255	65	50	80 -80	46				
PA50/26GA	63	17.5	84		23.63	30	30KW	61	3.3									
PA50/26HA	75.5	20.97	75.6		26.43	30		59	3.9									
PA50/26B	37	10.28	85.5		16.57	18.5	Y200L <sub>1</sub> -2	52	2.3	245	65	50	80 -80	46				
PA50/26GB	60.5	16.81	77.5		21.29	30	30KW	60	3.2									
PA50/26HB	72.5	20.14	69.8		23.76	30		58	3.9									
PA50/32	48	13.3	144		40.4	45	Y280S-2	46.5	2.5	329	65	50	100 -80	101				
PA50/32G	80	22.2	133		50.8	55	75KW	57	3.7									
PA50/32H	96	26.7	124		56	75		58	3.1									
PA50/32A	46	12.8	131		36.1	45	Y250M-2	45.5	2.5	315					65	50	100 -80	101
PA50/32GA	76.5	21.3	120		44.7	55	55KW	56	3.7									
PA50/32HA	92	25.6	112		49.3	55		57	3.3									
PA50/32B	43.5	12.1	118	31.5	37	Y250M-2	44.5	2.4	300	65					50	100 -80	101	
PA50/32GB	73	20.3	109	39.4	45	55KW	55	3.6										
PA50/32HB	87.5	24.3	103	43.8	55		56	3.5										
PA50/32C	41.4	11.5	107	27.4	30	Y225M-2	44	2.3	285	65					50	100 -80	101	
PA50/32GC	69	19.2	98	34.2	37	45KW	54	3.5										
PA50/32HC	82.8	23	92	37.7	45		55	3.65										
PA50/32D	39	10.8	92	22.7	30	Y200L <sub>2</sub> -2	43	2.2	270	65	50	100 -80	101					
PA50/32GD	65.5	18.2	86	29	37	37KW	53	3.3										
PA50/32HD	77.4	21.5	80	31.2	37		54	3.7										
PA50/32E	37	10.3	82	19.7	22	Y200L <sub>1</sub> -2	42	2.1	255	65	50	100 -80	101					
PA50/32GE	62	17.2	75	24.3	30	30KW	52	3.1										
PA50/32HE	74.5	20.7	70	26.8	30		53	3.6										

performance table1

pump model PA	flow		H	RPM	power		motor Model	efficiency	NPSH	impeller diameter	diameter		cone pipe	weight				
	m <sup>3</sup> /h	L/.s			m	r/min					kw	kw			%	m	mm	inlet
			mm	mm														
PA65/13	60	16.67	25	2900	6.1	7.5	Y160M <sub>1</sub> -2	67	3	139	80	65	100 -100	39				
	100	27.78	22		7.68	11	11KW	78	3.5									
	120	33.33	19		8.39	11		74	4.5									
PA65/13 A	56	15.56	21.5		5.04	7.5	Y160M <sub>1</sub> -2	65	3	130					80	65	100 -100	39
	93.5	26	18.5		6.2	11	11KW	76	3.5									
	112.5	31.25	16		6.81	11		72	4.1									
PA65/13 B	52	14.44	18		4.05	5.5	Y132S <sub>2</sub> -2	63	3	120	80	65	100 -100	39				
	86.5	24	15.5		4.93	7.5	7.5KW	74	3.3									
	104	28.9	13		5.26	7.5		70	3.75									
PA65/16	60	16.67	39		10.28	15	Y160L-2	62	3.6	174					80	65	100 -100	43
	100	27.78	35		12.7	15	18.5KW	75	4.2									
	120	33.33	32		13.94	18.5		75	5.2									
PA65/16 A	57	15.83	34.5		8.92	11	Y160M <sub>2</sub> -2	60	3.6	165	80	65	100 -100	43				
	95	26.4	31		11	15	15KW	73	4.1									
	114	31.7	28		11.92	15		73	4.8									
PA65/16 B	53.5	14.86	30		7.54	11	Y160M <sub>1</sub> -2	58	3.6	155					80	65	100 -100	43
	89	24.72	27		9.22	11	11KW	71	3.95									
	107	29.72	24.5		10	11		71	4.5									
PA65/20	66	18.33	63		17.97	22	Y200L <sub>1</sub> -2	63	3	214	80	65	125 -100	70				
PA65/20G	110	30.55	57		23.07	30	30KW	74	3.9									
PA65/20H	132	36.67	52		25.09	30		74.5	5.3									
PA65/20 A	63	17.5	57		15.77	18.5	Y200L <sub>1</sub> -2	62	3	205					80	65	125 -100	70
	105.5	29.31	51		20.08	30	30KW	73	3.75									
	126.5	35.14	47		22.03	30		73.5	4.85									
PA65/20 B	60	16.67	51.5	13.8	18.5	Y200L <sub>1</sub> -2	61	3	195	80	65	125 -100	70					
	100	27.78	46.5	17.59	22	30KW	72	3.6										
	120	33.33	42.5	19.16	30		72.5	4.4										
PA65/26	72	20	97	29.50	37	Y250M-2	64.5	3.3	264					80	65	125 -100	81	
	120	33.33	89	39.84	45	55KW	73	4.5										
	144	40	83	44.59	55		73	5.4										
PA65/26 A	69.5	19.31	90	26.21	37	Y225M-2	65	3.25	255	80	65	125 -100	81					
	116	32.22	82.5	36.19	45	45KW	72	4.4										
	139	38.61	77	40.48	45		72	4.95										
PA65/26 B	67	18.61	83	23.66	30	Y225M-2	64	3.2	245					80	65	125 -100	81	
	111.5	31	76	32.53	37	45KW	71	4.25										
	133.5	37.1	71	36.61	45		70.5	4.95										

performance table1

pump model PA	flow		H	RPM	power		motor Model	efficiency	NPSH	impeller diameter	diameter		cone pipe	weight
	m <sup>3</sup> /h	L/s			m	r/min					shaft	motor		
	mm	mm	mm	mm	mm	mm	mm	mm	mm	mm	mm	mm	mm	kg
PA65/32	78	21.7	147	2900	58	75	Y280M-2	54	2.2	329	80	65	125	110
PA65/32G	130	36.1	132		74.7	90	90KW	62.5	2.4					
PA65/32H	156	43.3	115		81.4	90		60	3.2					
PA65/32A	74.5	20.7	132		50	55	Y280M-2	53.5	2.2	315				
PA65/32GA	124	34.4	118		65.2	75	90KW	61	2.3					
PA65/32HA	149	41.4	102		71.4	90		58	3					
PA65/32B	71	19.7	118		43	55	Y280S-2	53	2.2	300				
PA65/32GB	119	33	102		56	75	75KW	59	2.2					
PA65/32HB	142	39.4	88		61.2	75		55.5	2.7					
PA65/32C	67.5	18.8	105		37.2	45	Y280S-2	52	2.2	285				
PA65/32GC	113	31.4	93		49	55	75KW	58.5	2.2					
PA65/32HC	135	37.5	79		53.3	75		54.5	2.5					
PA65/32D	64	17.8	94		32.2	37	Y250M-2	51	2.2	270				
PA65/32GD	107	29.7	82		41.2	55	55KW	58	2.2					
PA65/32HD	128	35.6	70		45.7	55		53.5	2.4					
PA65/32E	60	16.7	82		26.9	30	Y225M-2	50	2.15	255				
PA65/32GE	100	27.8	72		34.4	37	45KW	57	2.2					
PA65/32HE	120	33.3	61		38.3	45		52	2.3					
PA80/16	100	27.78	39		15.85	18.5	Y200L <sub>1</sub> -2	67	3.3	174				
	162	45	35		19.3	22	30KW	80	4					
	195	54.17	31.5		21.18	30		79	5					
PA80/16A	95	26.39	34.5	13.73	18.5	Y180M-2	65	3.3	165					
	153.5	42.64	31	16.61	18.5	22KW	78	3.85						
	185	51.39	28	18.32	22		77	4.6						
PA80/16B	89	24.72	30.5	11.73	15	Y160L-2	63	3.25	155					
	144.5	40.14	27.2	14.08	15	18.5KW	76	3.7						
	174	48.33	24.5	15.48	18.5		75	4.3						
PA80/20	115	31.94	61	27.29	37	Y225M-2	70	4	214					
	190	52.78	55	35.57	37	45KW	80	5.1						
	225	62.5	50	38.78	45		79	6.2						
PA80/20A	110	30.56	55.5	24.1	30	Y200L <sub>2</sub> -2	69	4	205					
	182	50.56	50	31.37	37	37KW	79	4.9						
	215.5	59.86	45.5	34.23	37		78	5.85						
PA80/20B	105	29.17	50	21.03	30	Y200L <sub>2</sub> -2	68	4	195					
	173	48.06	45	27.2	30	37KW	78	4.7						
	205	56.94	41	29.72	37		77	5.5						

performance table1

pump model PA	flow		H	RPM	power		motor Model	efficiency	NPSH	impeller diameter	diameter		cone pipe	weight
	m <sup>3</sup> /h	L/s			m	r/min					shaft	motor		
			kw	kw			mm	mm						
PA80/26	115	31.94	96	2900	45.5	55	Y280S-2	66	4	264	100	80	-125	91
	190	52.78	86		57.8	75	75KW	77	5.4					
	225	62.5	79		64.5	75		75	6.5					
PA80/26A	111	30.83	89		41.39	55	Y280S-2	65	3.95	255				
	183.5	50.97	79.8		52.47	75	75KW	76	5.2					
	217.5	60.42	73		58.43	75		74	6.25					
PA80/26B	106.5	29.58	82		37.16	45	Y280S-2	64	3.9	245				
	176.5	49.03	73.5		47.11	55	75KW	75	5					
	209	58.06	67.5		52.63	75		73	6					
PA80/32	120	33.3	142		76	90	Y315M <sub>1</sub> -2	61	3.1	329				
PA80/32G	200	55.6	127		101.8	132	132KW	68	3.4					
PA80/32H	240	66.7	110		112.4	132		64	3.7					
PA80/32A	115	32	130		68	75	Y315S-2	60	3.05	315				
PA80/32GA	191	53	116		90	110	110KW	67	3.3					
PA80/32HA	230	63.9	100		99.4	110		63	3.6					
PA80/32B	110	30.6	118		60	75	Y315S-2	59	3.05	300				
PA80/32GB	182	50.6	103		78	90	110KW	65.5	3.2					
PA80/32HB	220	61.1	89		86.7	110		61.5	3.5					
PA80/32C	104	28.9	106		51.8	75	Y280M-2	58	2.95	285				
PA80/32GC	173	48	92		67.1	75	90KW	64.5	3.2					
PA80/32HC	208	57.8	79		74.6	90		60	3.4					
PA80/32D	98.5	27.4	94		44.3	55	Y280S-2	57	2.9	270				
PA80/32GD	164	45.6	82		57.7	75	75KW	63.5	3.15					
PA80/32HD	197	54.7	70		64.7	75		58	3.3					
PA100/16	151.2	42	33	22.65	30.	Y200L <sub>2</sub> -2	60	5	174					
	252	70	27	25.74	37	37KW	72	5						
	302.4	84	22.4	26.3	37		70	5.5						
PA100/20	180	50	59	41.32	55	Y280S-2	70	4	214					
	285	79.17	52	50.14	75	75KW	80.5	5.3						
	340	94.44	44	54.68	75		74.5	6.3						
PA100/20 A	172.5	47.92	52.5	35.75	45	Y250M-2	69	3.95	205					
	273	75.83	46	43.02	55	55KW	79.5	4.9						
	325.5	90.42	38	45.83	55		73.5	5.95						
PA100/20 B	164	45.56	47	30.87	37	Y225M-2	68	3.9	195					
	260	72.22	40	36.08	45	45KW	78.5	4.8						
	310	86.11	32.5	37.85	45		72.5	5.6						

pump model PA	flow		H	RPM	power		motor Model	efficiency	NPSH	impeller diameter	diameter		cone pipe	weight
	m <sup>3</sup> /h	L/s			m	r/min					shaft kw	motor kw		
PA100/26	190	52.78	97	2900	71.7	90	Y315S-2	70	3.8	264	125	100	200	115
	295	81.94	85		87.54	100	110KW	78	5.2					
	350	97.22	75		97.93	110		73	6.5					
PA100/26 A	183.5	50.97	89		64.45	75	Y315S-2	69	3.75	255	125	100	200	115
	285	79.17	78		78.63	90	110KW	77	5					
	338	93.89	68.5		87.57	100		72	6.2					
PA100/26 B	177	49.17	82		58.13	75	Y280M-2	68	3.7	245	125	100	200	115
	274	76.11	71.5		70.2	90	90KW	76	4.8					
	325	90.28	63		78.54	90		71	5.9					
PA125/20	238	66	54.5		59.3	75	Y280M-2	59.5	7	214	150	125	200	106
	360	100	49		66.3	90	90KW	72.5	7.2					
	475	132	40		70.9	90		73	7					
PA125/20 A	228	63.2	49.5		53.0	75	Y280S-2	58.5	7	205	150	125	200	106
	345	95.8	44		58.0	75	75KW	71.5	7.1					
	455	126	35.3		61	75		72	6.85					
PA125/20 B	216	60.1	44.8	46	55	Y280S-2	57.5	7	195	150	125	200	106	
	328	91.1	39.5	50.5	55	75KW	70.5	6.95						
	433	120	31.5	52.8	75		71	6.6						
PA32/13	4.5	1.25	6	0.156	0.55	Y801-4	47	1.8	139	50	32		27.5	
	7.5	2.08	5.5	0.197	0.55	0.55KW	57	2						
	9	2.5	5	0.211	0.55		58	2.3						
PA32/16	6	1.67	9.5	0.353	0.55	Y801-4	44	1.8	174	50	32		35	
	9	2.5	9	0.416	0.55	0.55KW	53	2						
	11	3.05	8.3	0.46	0.55		54	2.4						
PA32/20	6	1.67	15	0.646	0.75	Y90S-4	38	1.8	214	50	32		41	
9	2.5	14	0.763	1.1	1.1KW	45	2							
11	3.05	13.2	0.84	1.1		47	2.3							
PA32/26	7	1.94	24.2	1.53	2.2	Y100L <sub>2</sub> -4	30	1.8	264	50	32		59	
	11	3.05	23	1.81	2.2	3KW	38	2						
	13	3.61	22	1.95	3		40	2.4						
PA40/13	9	2.5	6.3	0.297	0.55	Y801-4	52	1.8	139	65	40		30	
	15	4.17	5.8	0.365	0.55	0.55KW	65	2						
	18	5	5.3	0.406	0.55		64	2.4						
PA40/16	9	2.5	9.7	0.495	0.55	Y90S-4	48	1.8	175	65	40		36	
	15	4.17	8.5	0.579	0.75	1.1KW	60	2						
	18	5	7.6	0.642	1.1		58	2.4						



pump model PA	flow		H	RPM	power		motor Model	efficiency	NPSH	impeller diameter	diameter		cone pipe	weight																					
	m <sup>3</sup> /h	L/s			m	r/min					shaft	motor			kw	kw	%	m	mm	mm	mm	mm													
			inlet	outlet																															
PA40/20	9	2.5	15.2	1450	0.79	1.1	Y90S-4	47	1.8	214	65	40	65	44																					
	15	4.17	14		1.04	1.5	1.1KW	55	2																										
	18	5	12.8		1.16	1.5		54	2.4																										
PA40/26	10	2.78	24		1.77	2.2	Y100L <sub>2</sub> -4	37	1.8	264				65	40	65	61																		
	16	4.4	23		2.18	2.2	3KW	46	2																										
	20	5.56	21.8		2.38	3		50	2.4																										
PA40/32	11	3	38		3.5	5.5	Y132S-4	32	3.1	329							65	40	65	95.8															
	18	5	35		4.24	5.5	5.5KW	40.5	2.1																										
	21.5	6	32		4.83	5.5		39	3.8																										
PA40/32 A	10.5	2.92	34.5		3.24	4	Y132S-4	30.5	3.3	315										65	40	65	95.8												
	17	4.72	32		3.85	5.5	5.5KW	38.5	2																										
	20.5	5.7	29		4.32	5.5		37.5	2.9																										
PA40/32 B	10	2.78	31		2.91	4	Y132S-4	29	3.6	300													65	40	65	95.8									
	16.5	4.58	29		3.52	5.5	5.5KW	37	2																										
	20	5.56	26		3.94	5.5		36	2.7																										
PA50/13	18	5	6.4		0.514	0.75	Y90S-4	61	2.2	139																65	50	80 -65	34						
	30	8.33	5.8		0.658	0.75	1.1KW	72	2.4																										
	36	10	5.2		0.739	1.1		69	2.8																										
PA50/16	20	5.55	10.3		0.93	1.1	Y90L-4	60	2.3	174																			65	50	80 -65	38			
	32	8.89	9.5		1.18	1.5	1.5KW	70	2.4																										
	38	10.55	8.8		1.3	1.5		70	3																										
X50/20	18	5	15.4		1.37	1.5	Y100L <sub>1</sub> -4	55	2.2	214																						65	50	80 -65	46
	30	8.33	13.5		1.7	2.2	2.2KW	65	2.3																										
	36	10	11.6		1.86	2.2		61	2.9																										
PA50/26	20	5.55	25	2.62	3	Y132S-4	52	2.3	264	65	50	80 -65	63																						
	32	8.89	22.5	3.27	4	5.5KW	60	2.4																											
	38	10.55	19.8	3.63	5.5		56.5	3																											
PA50/32	24	6.67	36	5	5.5	Y160M-4	47	2	328				65	50	80 -65	101																			
	40	11.11	34	6.38	7.5	11KW	58	2.5																											
	48	13.33	32	7.09	11		59	3.2																											
PA50/32 A	23	6.39	32.5	4.52	5.5	Y132M-4	45	2	315							65	50	80 -65	101																
	38.5	10.69	30.6	5.73	7.5	7.5KW	56	2.4																											
	46	12.78	28.7	6.36	7.5		56.5	3																											
PA50/32 B	22	6.11	29.4	4.24	5.5	Y132M-4	41.5	2	300										65	50	80 -65	101													
	36.5	10.14	27.7	5.1	7.5	7.5KW	54	2.3																											
	44	12.22	26	5.66	7.5		55	2.8																											

pump model  PA	flow		H  m	RPM  r/min	power		motor Model	efficiency  %	NPSH  m	impeller diameter  mm	diameter		cone pipe  mm	weight  kg
	m <sup>3</sup> /h	L/s			shaft  kw	motor  kw					inlet  mm	outlet  mm		
PA65/13	30	8.33	6.2	1450	0.79	1.1	Y90L-4	64	2.2	139	80	65	125 -80	39
	50	13.89	5.4		0.98	1.1	1.5KW	75	2.4					
	60	16.67	4.7		1.05	1.5		73	2.8					
PA65/16	30	8.33	9.8		1.33	2.2	Y100L <sub>1</sub> -4	60	2	174				
	50	13.89	8.8		1.62	2.2	2.2KW	74	2.2					
	60	16.66	7.9		1.75	2.2		73.5	2.5					
PA65/20	35	9.72	15.3		2.31	3	Y112 M-4	63	1.9	214				
	55	15.27	14		2.87	4	4KW	73	2					
	66	18.33	13.1		3.2	4		73.5	2.3					
PA65/26	36	10	24.5		4	5.5	Y132M-4	60	2	264				
	60	16.67	22.5		5.25	7.5	7.5KW	70	2.3					
	72	20	20.6		5.77	7.5		70	3					
PA65/32	40	11.11	37		7.46	11	Y160L-4	54	1.9	329				
	65	18.06	34		9.56	11	15KW	63	2					
	78	21.67	31		10.62	15		62	2.5					
PA65/32 A	37	10.28	33.4		6.73	11	Y160M-4	50	1.9	315				
	62	17.2	30.9		8.54	11	11KW	61	2					
	74.5	20.69	28		9.47	11		60	2.3					
PA65/32 B	34	9.44	30.5		6	7.5	Y160M-4	47	2	300				
	56.5	15.69	28		7.3	11	11KW	59	2					
	68	18.89	25.8		8.1	11		59	2.1					
PA80/16	50	13.89	9.9		2.2	3	Y132M-4	61	2.1	174				
	80	22.22	9		2.55	3	7.5KW	77	2.5					
	96	26.67	8.3		2.75	3		79	3.2					
PA80/20	58	16.11	15.5	3.77	5.5	Y132M-4	65	2.1	214					
	95	26.39	14	4.64	7.5	7.5KW	78	2.5						
	112	31.11	13	5.15	7.5		77	3.2						
PA80/26	58	16.11	23.5	5.8	7.5	Y160M-4	64	2.1	264					
	95	26.39	21.5	7.52	11	11KW	74	2.5						
	112	31.11	20	8.36	11		73	3.2						
PA80/32	60	16.67	36	9.65	15	Y180M-4	61	1.9	329					
	100	27.78	33	12.66	15	18.5KW	71	2						
	120	33.33	30	14	18.5		70	2.6						
PA80/32 A	57.5	15.97	32.4	8.75	11	Y160L-4	58	1.9	315					
	95.5	26.53	29.7	11.2	15	15KW	69	2						
	114.5	31.81	27	12.38	15		68	2.3						

pump model  PA	flow		H	RPM	power		motor Model	efficiency	NPSH	impeller diameter	diameter		cone pipe	weight
	m <sup>3</sup> /h	L/s	m	r/min	kw	kw					inlet	outlet		
PA80/32 B	54.5	15.14	29.3	1450	7.77	11	Y160L-4	56	1.9	300	100	80	125 -80	120
	91	25.28	26.8		9.91	15	15KW	67	2					
	109	30.28	24.5		11.02	15		66	2.2					
PA80/40	60	16.67	58		18.96	22	Y200L-4	50	2.2	409				
	100	27.78	53		24.06	30	30KW	60	2.5					
	120	33.33	48		26.58	30		59	3.4					
PA80/40 A	58	16.11	53.7		17.67	22	Y200L-4	48	2.2	395				
	96.5	26.81	48.9		22.16	30	30KW	58	2.4					
	116	32.22	44.4		24.6	30		57	3.2					
PA80/40 B	56	15.56	49.4		16.38	22	Y200L-4	46	2.2	380				
	93	25.83	45		20.35	30	30KW	56	2.4					
	111.5	30.97	40.9		22.58	30		55	3					
PA80/40 C	54	15	46		15	18.5	Y180L-4	45	2.2	365				
	90	25	42		18.7	22	22KW	55	2.3					
	108	30	38		20.7	22		54	2.8					
PA100/16	75.6	21	8	2.8	4	Y132S-4	58.9	2.3	174					
	126	35	6.8	3.32	5.5	5.5KW	70.2	2.5						
	151.2	42	5.7	3.45	5.5		68	3.3						
PA100/20	90	25	15	5.25	7.5	Y160M-4	70	2.2	214					
	142	39.44	13	6.36	7.5	11KW	79	2.5						
	170	47.22	11.5	6.91	11		77	3.4						
PA100/26	95	26.39	24.5	9.19	11	Y160L-4	69	2.3	264					
	148	41.11	22	11.37	15	15KW	78	2.6						
	175	48.61	20	12.54	15		76	3.5						
PA100/32	81	22.5	37.5	12.73	15	Y180L-4	65	2	329					
	135	37.5	34	16.7	22	22KW	75	2						
	162	45	30	18.38	22		72	2.3						
PA100/32 A	77.5	21.53	33.5	11.5	15	Y180L-4	61.5	2	315					
	130	36.1	30.5	15.2	22	22KW	71	2						
	155	43.06	27	16.64	22		68.5	2.18						
PA100/32 B	73.5	20.42	30.5	10.44	15	Y180M-4	58.5	2	329					
	123	34.17	27.5	13.55	18.5	18.5KW	68	2						
	147.5	41	24.5	14.92	18.5		66	2.1						
PA100/40	90	25	57	24.09	30	Y225M-4	58	1.7	409					
	150	41.67	52	31.24	37	45KW	68	2						
	180	50	48.5	34.96	45		68	2.7						

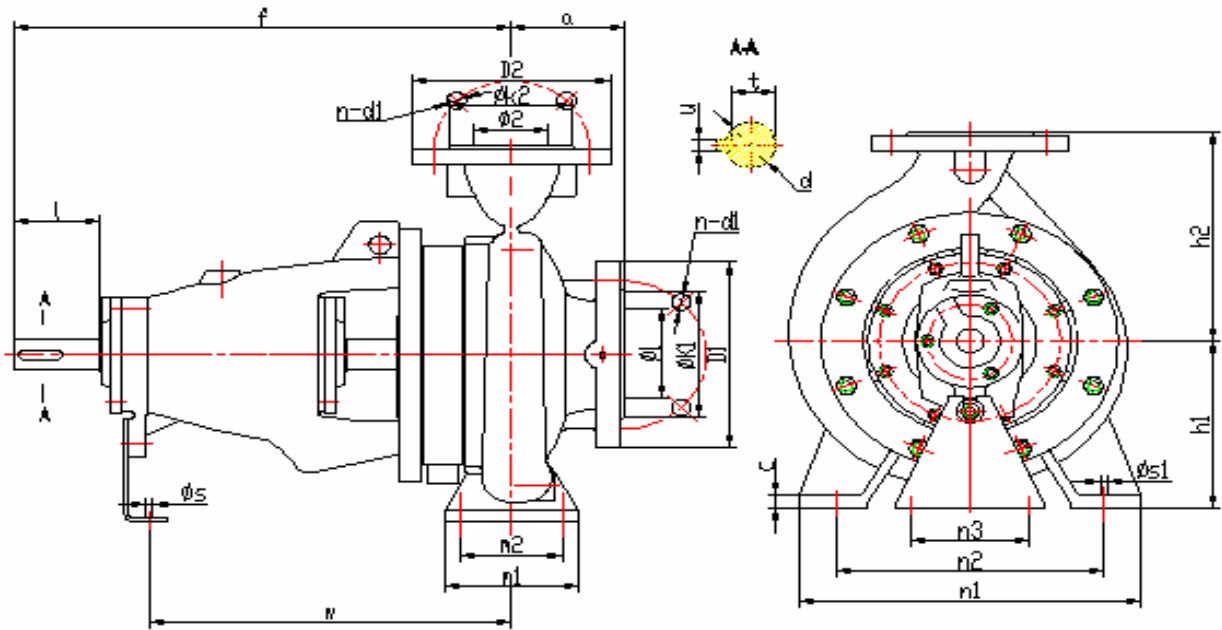
pump model  PA	flow		H	RPM	power		motor Model	efficiency	NPSH	impeller diameter	diameter		cone pipe	weight
	m <sup>3</sup> /h	L/s	m		r/min	shaft					motor	inlet		
					kw	kw	%	m	mm	mm	mm	mm	kg	
PA100/40 A	87	24.17	52.5	1450	22.22	30	Y225S-4	56	1.7	395	100	80	125 -80	174
	145	40.28	48.2		28.84	37	37KW	66	2					
	174	48.33	44.5		31.75	37		66.4	2.5					
PA100/40 B	84	23.33	48.5		20.54	30	Y225S-4	54	1.7	380				
	139.5	38.75	44.5		26.42	37	37KW	64	1.9					
	167.5	46.53	41.2		29.37	37		64	2.4					
PA100/40 C	81	22.5	45		19.1	22	Y200L-4	52	1.7	365				
	135	37.5	41		24.3	30	30KW	62	1.9					
	162	45	38		27	30		62	2.3					
PA125/20	115	32	14.2		7.3	11	Y160M-4	61	2.6	214				
	190	53	12.5		8.55	11	11KW	76	3.5					
	230	63.6	11		9.03	11		76	3.0					
PA125/20	110	30.6	13		6.4	11	Y160M-4	60	2.6	205				
	182	50.6	11.5		7.5	11	11KW	75	3.5					
	220	61.1	10.1		7.9	11		75	3.0					
PA125/26	144	40	23.5		13.17	18.5	Y180L-4	70	2.3	264				
	240	66.67	21		16.95	22	22KW	81	2.5					
	288	80	18.8		18.9	22		78	3.2					
PA125/26 A	139	38.61	21.3		12.03	15	Y180L-4	67	2.3	255				
	232	64.44	19.2		15.35	22	22KW	79	2.5					
	278.5	77.36	17		16.96	22		76	3					
PA125/26 B	134	37.22	19.7		11.23	15	Y180M-4	64	2.3	245				
	223	61.94	17.5		13.98	18.5	18.5KW	76	2.4					
	267.5	74.31	15.7		15.46	18.5		74	2.8					
PA125/32	120	33.3	35.1	17.36	22	Y200L-4	66	2.1	329					
	200	55.6	32	22.35	30	30KW	78	2						
	240	66.7	29.5	24.72	30		78	2.7						
PA125/32 A	115	31.94	31.5	17.36	22	Y200L-4	66	2.1	315					
	191	53.06	29	22.35	30	30KW	78	2						
	229	63.61	26.5	24.72	30		78	2.7						
PA125/32 B	109	30.28	28.5	14.1	18.5	Y180L-4	60	2.2	300					
	182	50.56	26	17.77	22	22KW	72.5	2						
	218.5	60.7	24	19.7	22		72.5	2.2						
PA125/40	144	40	58	34.46	45	Y280S-4	66	2.2	409					
	245	68.05	52	45.65	55	75KW	76	2.4						
	300	83.33	46	52.2	75		72	3.2						

pump model PA	flow		H	RPM	power		motor Model	efficiency	NPSH	Impeller diameter	diameter		Cone pipe	weight						
	m <sup>3</sup> /h	L/s			m	r/min					shaft	motor			kw	kw	%	m	mm	inlet
			mm	mm			mm	kg												
PA125/40A	139	38.61	53.5	1450	31.4	37	Y250M-4	64.5	2.2	395	150	125	200	-150	181					
	236.5	65.7	48		41.78	55	55KW	74	2.4											
	289	80.42	42.5		47.87	55		70	3											
PA125/40B	133.5	37.08	49.5		28.56	37	Y250M-4	63	2.2	380						150	125	200	-150	181
	227.5	63.2	44		37.6	45	55KW	72.5	2.3											
	278.5	77.36	39		43.18	55		68.5	2.8											
PA125/40C	132	36.67	44.8		26	30	Y225M-4	62	2.2	365	150	125	200	-150	181					
	220	61.1	40.7		34.3	45	45KW	71	2.3											
	264	73.3	36.3		39	45		67	2.8											
PA150/20	216	60	14.4		12.10	15	Y180M-4	70	3.0	220						200	150	250	-200	156
	360	100	12.2		14.95	18.5	18.5KW	80	3.5											
	424.8	118	10.3		15.47	18.5		77	4.0											
PA150/26	194	54	23		17.14	22	Y200L-4	71	2.7	264	200	150	250	-200	148					
	324	90	21		22.87	30	30KW	81	3.0											
	414	115	16.8		25.59	30		74	3.3											
PA150/32	230	63.89	36		30.89	37	Y250M-4	73	2.8	329	200	150	250	-200	170					
	370	102.78	33		40.55	45	55KW	82	3.2											
	445	123.61	30		44.88	55		81	3.6											
PA150/32A	220	61.11	32.5		27.62	37	Y225M-4	70.5	2.8	315						200	150	250	-200	170
	354	98.33	30		36.38	45	45KW	79.5	3.1											
	426	118.33	27		39.9	45		78.5	3.5											
PA150/32B	209.5	58.2	29.5		24.4	30	Y225S-4	69	2.8	300	200	150	250	-200	170					
	337.5	93.75	27		31.8	37	37KW	78	3											
	405.5	112.64	24.5		35.14	37		77	3.3											
PA150/40	240	66.67	54	51.15	75	Y280M-4	69	2.8	409	200						150	250	-200	209	
	385	106.94	50	66.36	75	90KW	79	3.2												
	460	127.78	46	73.88	90		78	3.6												
PA150/40A	232	64.44	50	46.8	55	Y280S-4	67.5	2.8	395		200	150	250	-200	209					
	372	103.33	46	60.5	75	75KW	77	3.2												
	444	123.33	42.5	67.62	75		78	3.6												
PA150/40B	223	61.94	46	42.32	55	Y280S-4	66	2.8	380	200						150	250	-200	209	
	357.5	99.3	42	54.2	75	75KW	75.5	3.1												
	427.5	118.75	39	61	75		74.5	3.5												
PA150/40C	204	56.67	43.5	37.2	45	Y250M-4	65	2.8	365		200	150	250	-200	209					
	340	94.4	38.3	47.3	55	55KW	75	3.0												
	408	113.3	34.9	52.4	55		74	3.4												

pump model  PA	flow		H m	RPM r/min	power		motor Model	efficiency %	NPSH m	Impeller diameter mm	diameter		Cone pipe mm	weight Kg																					
	m <sup>3</sup> /h	L/s			shaft kw	motor kw					inlet mm	outlet mm																							
PA200/26	360	100	20.5	1450	31.4	55	Y250M-4	64	3.7	264	250	200	300	-300																					
	600	166.7	19		38.8		55KW	80	2.8																										
	720	200	17		42.2			79	3.6																										
PA200/32	378	105	33		46.5	55	Y280S-4	73	2.7	329	250	200	300	-300	251																				
	630	175	27		54.5	75	75KW	85	3.8																										
	756	210	20		56.4	75		73	3.9																										
PA200/32A	360	100	30		40.3	45	Y250M-4	73	2.6	315						250	200	300	-300	251															
	600	167	25		50.5	55	55KW	81	3.7																										
	720	200	19		51	55		73	3.8																										
PA200/32B	342	95	28.5		37.4	45	Y250M-4	71	2.5	300											250	200	300	-300	251										
	570	158	23		44.6	55	55KW	80	3.6																										
	684	190	18.5		47.2	55		73	3.74																										
PA200/32C	324	90	25.5		33.1	37	Y225M-4	68	2.5	285																250	200	300	-300	251					
	540	150	21		40.1	45	45KW	77	3.6																										
	648	180	16.6		41.3	45		71	3.7																										
PA200/40	390	108	55.5		76.5	90	Y315M <sub>1</sub> -4	77	3.0	409																					250	200	300	-300	295
	650	181	48.5		100	110	132KW	86	3.8																										
	780	217	41.5		109	132		81	4.5																										
PA200/40A	378	105	51		68.2	75	Y315S-4	77	2.9	395	250	200	300	-300	295																				
	630	175	44		88.8	110	110KW	85	3.8																										
	756	210	37		96.4	110		79	4.4																										
PA200/40B	360	100	47	60.6	75	Y280M-4	76	2.9	380	250						200	300	-300	295																
	600	167	40.5	78.8	90	90KW	84	3.7																											
	720	200	33.5	84.2	90		78	4.3																											
PA200/40C	342	95	43	53.4	75	Y280M-4	75	2.9	365											250	200	300	-300	295											
	570	158	36.5	68.3	90	90KW	83	3.7																											
	684	190	30.5	73.8	90		77	4.2																											
PA200/40D	324	90	39	46.5	55	Y280S-4	74	2.9	350																250	200	300	-300	295						
	540	150	32.5	58.3	75	75KW	82	3.6																											
	648	180	27	62.7	75		76	4.1																											
PA200/40E	306	85	34	39.4	45	Y280S-4	72	2.8	335																					250	200	300	-300	295	
	510	142	29	49.7	55	75KW	81	3.6																											
	612	170	23.5	53	75		74	4.0																											
PA250/32	504	140	32	62.7	75	Y280M-4	70	3.2	329		300	250	350	-350	311																				
	840	233	29	77	90	90KW	86	3.4																											
	1008	280	23	78.9	90		80	5.5																											

pump model PA	Flow		H	r/min	Power		motor Model	efficiency	NPSH	Impeller diameter	diameter		Cone pipe	weight
	m <sup>3</sup> /h	L/s			m	shaft					motor	inlet		
			kw											
PA250/32A	480	133	29	1450	54.1	75	Y280s-4	70	3.2	315	300	250	350	311
	800	222	26		66.6	75	75KW	85	3.2					
	960	267	21		68.7	75		80	4.8					
PA250/32B	456	127	26.5		47.8	55	Y280s-4	69	3.3	300				
	760	211	23.5		57.9	75	75KW	84	3.1					
	912	253	19		59.7	75		79	4.1					
PA250/32C	432	120	24		41	45	Y250M-4	69	3.3	285				
	720	200	21		49.6	55	55KW	83	3.1					
	864	240	17		50.6	55		79	3.7					
PA250/40	540	150	52.5		103	132	Y315M <sub>2</sub> -4	75	3.3	409	300	250	350	390
	900	250	48.5		135.1	160	160KW	88	4.8					
	1080	300	41		148.9	160		81	6.3					
PA250/40A	522	145	49		92.9	110	Y315M <sub>2</sub> -4	75	3.3	395				
	870	242	44.5		119.8	132	160KW	88	4.8					
	1044	290	38.5		133.5	160		82	6.2					
PA250/40B	504	140	45		81.3	90	Y315M <sub>1</sub> -4	76	3.2	380				
	840	233	40.5		105.3	132	132KW	88	4.7					
	1008	280	34.5		112.7	132		84	6.2					
PA250/40C	480	133	41	71.5	90	Y315S-4	75	3.1	365					
	800	222	37	91.6	110	110KW	88	4.6						
	960	267	31	96.5	110		84	6.0						
PA250/40D	456	127	38	62.9	75	Y315S-4	75	3.0	350					
	760	211	33.5	78.8	90	110KW	88	4.5						
	912	253	28.5	84.3	110		84	5.8						
PA250/40E	432	120	35	55.6	75	Y280M-4	74	3.0	335					
	720	200	31	70	90	90KW	87	4.4						
	864	240	27	76.5	90		83	5.5						

## 2.1 PA series pump drawing



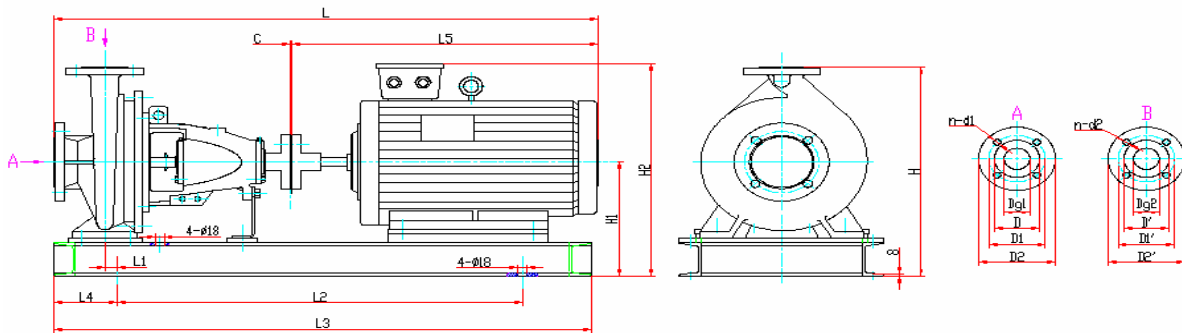
Model	shaft 承体	D2	D1	a	f	h1	h2	b	c	n3	m1	m2	n1	n2	s	w	d	l	t	u
PA32/13	25	32	50	80	360	112	140	50	14	100	100	70	190	140	14	267	24	50	27	8
PA32/16						132	160						240	190						
PA32/20						160	180						265	212						
PA32/26						180	225						320	250						
PA40/13	40	40	65	80	360	112	140	65	14	100	100	70	210	160	14	342	32	80	35	10
PA40/16						132	160						240	190						
PA40/20						160	180						265	212						
PA40/26						180	225						320	250						
PA40/32	35	65	125	470	360	200	250	65	14	110	125	95	345	280	14	364	42	110	45	12
PA40/32H						200	250						345	280						
PA40/32G						523	200						250	345						
PA50/13	25	50	65	100	360	132	160	50	14	100	100	70	240	190	14	267	24	50	27	8
PA50/16						160	180						265	212						
PA50/20						160	200						320	250						
PA50/26						180	225						320	250						
PA50/32	35	65	125	470	360	225	280	65	14	110	125	95	345	280	14	342	32	80	35	10
PA50/32H						225	280						345	280						
PA50/32G						523	225						280	345						



Model	shaft 承体	D2	D1	a	f	h1	h2	b	c	n3	m1	m2	n1	n2	s	w	d	l	t	u										
PA65/13	25	65	80	100	360	160	180	65	14	110	125	95	280	212	14	267	24	50	27	8										
PA65/16						160	200						320	250																
PA65/20						180	225						400	315																
PA65/26	35			80	100	125	470	200	250		80	15	160	120	360	280	18	342	32	80	35	10								
PA65/32								225	280						400	315														
PA65/32H								225	280						400	315														
PA65/32G	45	80	100	125	523	225	280	85	18		160	120	360	280	18	364	42	110	45	12										
PA80/16	25					100	125						140	470		180	225	80	14	125	95	320	250	14	267	24	50	27	8	
PA80/20	35															180	250					345	280							
PA80/26																200	280					400	315							
PA80/32						250	315						400	315																
PA80/32H	45					100	125						140	523		250	315	85	18	160	120	435	355	18	361	42	110	45	12	
PA80/32G		530	280	355	370			42	110	45	12																			
PA80/40		530	280	355	100			20	200	150	500	400			22	370	42					110	45		12					
PA100/16	35	100	125	140	470	200	250	80	15	110	160	120	360	280	18	342	32	80	35	10										
PA100/20	35					200	280						400	315																
PA100/26						225	280						400	315																
PA100/32				250	315	400	315																							
PA100/40	45			125	150	140	470	250	315				80	20							160	120	500	400	22	370	42	110	45	12
PA125/20	35							250	315														400	315						
PA125/26		250	355					400	315																					
PA125/32		280	355			500	400																							
PA125/40	45	150	200			165	530	315	400	100	18	200	150	400	315	23	370	42	110	45			12							
PA150/20	35							280	400					400	315															
PA150/26				250	355			400	315																					
PA150/32				280	400	550	450																							
PA150/40	45			200	250	180	670	315	450	120	20			220	170						600	480		28	505	48	110	51	14	
PA200/26	55							315	450												120	20								
PA200/32		315	450					150	26																					
PA200/40		335	480			250	200	660	510																					
PA250/32	55	300	250			220	691	355	520	150	26	250	200			660	510	28	525	48	110	51	14							
PA250/40							682	400	560							516														

Flange standard size										
DN1/DN2	32	40	50	65	80	100	125	150	200	250
φ D	140	150	165	185	200	220	250	285	340	405
φ K	100	110	125	145	160	180	210	240	295	350
d2×n	φ 18×4	φ 18×4	φ 18×4	φ 18×4	φ 18×8	φ 18×8	φ 18×8	φ 22×8	φ 22×8	φ 26×12

installation drawing



installation size (n=2900rpm)

base Model	pump Model	motor		pump installation size (mm)										
		Model	(kw)	L	L1	L2	L3	L4	L5	B	H	H1	H2	c
PAD32/13-90L	32/13	Y90L-2	2.2	789	10	560	760	100	345	257	342	202	362	4
	32/13A								320	257				
PAD32/13-90S	32/13B	Y90S-2	1.5	764					470	307			435	
PAD32/16-Y132S	32/16	Y132S1-2	5.5	914	10	650	850	100	400	257	382	222	410	
	32/16A								600	800				
PAD32/16-Y112M	32/16B	Y112M-2	4	844					615	357			510	
PAD32/20-Y160M	32/20	Y160M1-2	11	1059	10	800	1000	100	470	307	430	250	463	
	32/20A								650	850				
PAD32/20-Y132S	32/20B	Y132S1-2	5.5	914					670				530	
PAD32/26-Y160L	32/26	Y160L-2	18.5	1134	24.5	800	1050	125	615	357	495	270	530	
PAD32/26-Y160M	32/26A	Y160M2-2	15	1079					750	1000				670
	32/26B													
PAD40/13-Y112M	40/13	Y112M-2	4	844	10	600	800	100	400	257	342	202	390	4
	40/13A								385				372	
PAD40/13-Y100L	40/13B	Y100L-2	3	829					470	307	382	222	435	
	40/16	Y132S2-2	5.5	914	10	650	850	100	400	257				
PAD40/16-Y132S	40/16A	Y132S1-2												
	PAD40/16-Y112M	40/16B	Y112M-2	4	844									

PAD40/20-Y160M	40/20	Y160M1-2	11	1079	10	800	1000	100	615	357	430	250	510	4							
	40/20A																				
	40/20B																				
PAD40/26-Y180M	40/26	Y180M-2	22	1164	24.5	800	1050	125	700	357	495	270	545								
PAD40/26-Y160L	40/26A	Y160L-2	18.5	1134					670				530								
	40/26B																				
base Model	pump Model	motor		pump installation size (mm)																	
		Model	(kw)	L	L1	L2	L3	L4	L5	B	H	H1	H2	c							
PAD40/32G-Y225M	40/32G	Y225M-2	45	1475	22.5	1100	1350	125	820	457	565	315	650	4							
PAD40/32G-Y200L	40/32GA	Y200L2-2	37	1425											1050	1300	770	407	540	290	595
	40/32GB																				
	40/32GC	Y200L1-2	30																		
40/32GD																					
PAD40/32G-Y180M	40/32GE	Y180M-2	22	1355	950	1200	700	357													
PAD50/13-Y132S	50/13	Y132S2-2	7.5	914	10	650	850	100	470	307	382	222	435								
	50/13A	Y132S1-2	5.5																		
	50/13B																				
PAD50/16-Y160M	50/16	Y160M1-2	11	1079	10	800	1000	100	615	357	430	250	510								
	50/16A																				
	50/16B																				
PAD50/20-Y160L	50/20	Y160L-2	18.5	1134	10	800	1000	100	670	357	450	250	510								
PAD50/20-Y160M	50/20A	Y160M2-2	15	1079					615												
	50/20B																				
PAD50/26-Y200L	50/26	Y200L2-2	37	1234	25.5	850	1100	125	770	407	515	290	595	4							
	50/26A	Y200L1-2	30																		
	50/26B																				
PAD50/26G-Y200L	50/26G	Y200L2-2	37	1344	25.5	950	1200	125	770	407	515	290	595								
	50/26GA	Y200L1-2	30																		
	50/26GB																				
PAD50/32G-Y280S	50/32G	Y280S-2	75	1640	22.5	1200	1450	125	985	557	650	370	770								
PAD50/32G-Y250M	50/32GA	Y250M-2	55	1565					1150	1400	910	507	620		340	705					
	50/32GB																				
PAD50/32G-Y225M	50/32GC	Y225M-2	45	1475					1050	1300	820	457	575		315	650					
PAD50/32G-Y200L	50/32GD	Y200L2-2	37	1425	1000	1250	770	407	675												
	50/32GE	Y200L1-2	30																		
PAD65/13-Y160M	65/13	Y160M1-2	11	1079	22.5	760	1000	125	615	357	430	250	510	4							
	65/13A																				

PAD65/13-Y132S	65/13B	Y132S2-2	7.5	934		600	650		470	307			435	
PAD65/16-Y160L	65/16	Y160L-2	18.5	1134		800	1050		670					
PAD65/16-Y160M	65/16A	Y160M2-2	15	1079	22.5	760	1000	125	615	357	430	250	510	
	65/16B	Y160M1-2	11											
PAD65/20-Y200L	65/20	Y200L1-2	30	1234	27.5	850	1100	125	770	407	515	290	595	
	65/20A													
<b>base Model</b>	<b>pump Model</b>	<b>motor</b>			<b>pump installation size (mm)</b>									
		<b>Model</b>	<b>(kw)</b>	<b>L</b>	<b>L1</b>	<b>L2</b>	<b>L3</b>	<b>L4</b>	<b>L5</b>	<b>B</b>	<b>H</b>	<b>H1</b>	<b>H2</b>	<b>c</b>
PAD65/20-Y200L	65/20	Y200L1-2	30	1234	27.5	850	1100	125	770	407	515	290	595	4
	65/20A													
PAD65/20-Y200L	65/20B	Y200L1-2	30	1234	27.5	850	1100	125	770	407	515	290	595	
PAD65/20G-Y200L	65/20G	Y200L1-2	30	1344	27.5	950	1200	125	770	407	515	290	595	
	65/20GA													
	65/20GB													
PAD65/26-Y250M	65/26	Y250M-2	55	1484	20	1050	1350	140	910	507	590	340	705	
PAD65/26-Y225M	65/26A	Y225M-2	45	1394		950	1250		820	457	565	315	650	
	65/26B													
PAD65/32G-Y280M	65/32G	Y280M-2	90	1687	20	1200	1500	140	1035	557	650	370	770	
	65/32GA													
PAD65/32G-Y280S	65/32GB	Y280S-2	75	1637	20	1150	1450	140	985	557	650	370	770	
	65/32GC													
PAD65/32G-Y250M	65/32GD	Y250M-2	55	1562		1100	1400		910	507	620	340	705	
PAD65/32G-Y225M	65/32GE	Y225M-2	45	1467		1000	1300		815	457	595	315	650	
PAD80/16-Y200L	80/16	Y200L1-2	30	1259	22.5	850	1100	125	770	407	515	290	595	
PAD80/16-Y180M	80/16A	Y180M-2	22	1189		800	1050		700	357	495	270	545	
PAD80/16-Y160L	80/16B	Y160L-2	18.5	1159		670			670				530	
PAD80/20-Y225M	80/20	Y225M-2	55	1419	22.5	1000	1250	140	820	457	565	315	650	
PAD80/20-Y200L	80/20A	Y200L2-2	37	1369		950	1200		770	407	540	290	595	
	80/20B													
PAD80/26-Y280S	80/26	Y280S-2	75	1584	20	1100	1400	140	985	557	650	370	770	
	80/26A													
	80/26B													
PAD80/32G-Y315M1	80/32G	Y315M1-2	132	1842	17.5	1250	1500	140	1190	607	720	405	935	
PAD80/32G-Y315S	80/32GA	Y315S-2	110	1812		1200	1500		1160					
	80/32GB													
PAD80/32G-Y280M	80/32GC	Y280M-2	90	1687		1200	1500		1035					
PAD80/32G-Y280S	80/32GD	Y280S-2	75	1637	1150	1450	985							

	80/32GE													
PAD100/16-Y200L	100/16	Y200L2-2	37	1369	29	950	1250	140	770	407	540	290	595	
PAD100/20-Y280S	100/20	Y280S-2	75	1584	20	1100	1400	140	985	557	650	370	770	
PAD100/20-Y250M	100/20A	Y250M-2	55	1509		1050	1350		910	507	620	340	705	
PAD100/20-Y225M	100/20B	Y225M-2	45	1419		950	1250		820	457	595	315	650	
PAD100/26-Y315S	100/26	Y315S-2	110	1774	20	1150	1450	140	1160	607	685	405	935	
base Model	pump Model	motor		pump installation size (mm)										
		Model	(kw)	L	L1	L2	L3	L4	L5	B	H	H1	H2	c
PAD100/26-Y315S	100/26A	Y315S-2	110	1774	20	1150	1450	140	1160	607	685	405	955	4
PAD100/26-Y280M	100/26B	Y280M-2	90	1649					1035	557	650	370	770	
PAD125/20-Y280M	125/20	Y280M-2	90	1654	20	1150	1450	140	1035	557	685	370	770	
PAD125/20-Y280S	125/20A	Y280S-2	75	1604					1100					
	125/20B													

installation size (n=1450rpm)

Base Model	pump Model	motor		Pump installation size (mm)										
		Model	(kw)	L	L1	L2	L3	L4	L5	B	H	H1	H2	c
PAD32/13-Y80	32/13	Y8014	0.55	739	10	560	760	100	295	257	342	202	342	4
PAD32/16-Y80	32/16	Y8014	0.55	739	10	560	760	100	295	257	382	222	362	
PAD32/20-Y90S	32/20	Y90S-4	1.1	764	10	560	760	100	320	257	430	250	410	
PAD32/26-Y100L	32/26	Y100L2-4	3	851	24.5	560	800	125	385	357	495	270	440	
PAD40/13-Y80	40/13	Y8014	0.55	739	10	560	760	100	295	257	342	202	342	
PAD40/16-Y90S	40/16	Y90S-4	1.1	764	10	560	760	100	320	257	382	222	382	
PAD40/20-Y90L	40/20	Y90L-4	1.5	809	10	560	760	100	345	307	430	250	410	
PAD40/26-Y100L	40/26	Y100L2-4	3	851	24.5	560	800	125	385	357	495	270	440	
PAD40/32-Y132S	40/32	Y132S-4	5.5	1069	22.5	750	1000	125	470	357	540	290	503	
	40/32A													
	40/32B													
PAD50/13-Y90S	50/13	Y90S-4	1.1	784	10	560	760	100	320	257	382	222	382	
PAD50/16-Y90L	50/16	Y90L-4	1.5	809	10	560	760	100	345	307	430	250	410	
PAD50/20-Y100L	50/20	Y100L1-4	2.2	849	10	600	800	100	385	307	430	250	420	
PAD50/26-Y132S	50/26	Y132S-4	5.5	934	25.5	600	850	125	470	357	495	270	483	
PAD50/32-Y160M	50/32	Y160M-4	11	1214	22.5	850	1100	125	615	357	595	315	575	
PAD50/32-Y132M	50/32A	Y132M-4	7.5	1109	22.5	750	1000	125	510	357	595	315	528	
	50/32B													
PAD65/13-Y90L	65/13	Y90L-4	1.5	809	22.5	560	800	125	345	257	430	250	410	
PAD65/16-Y100L	65/16	Y100L1-4	2.2	849	22.5	560	800	125	385	257	450	250	420	
PAD65/20-Y112M	65/20	Y112M-4	4	864	27.5	600	850	125	400	357	495	270	458	
PAD65/26-Y132M	65/26	Y132M-4	7.5	1084	20	75	1050	140	510	357	540	290	503	
PAD65/32-Y160L	65/32	Y160L-4	15	1269	20	850	1050	140	670	407	595	315	575	

PAD65/32-Y160M	65/32A	Y160M-4	11	1214		800	1100		615					
	65/32B													
PAD80/16-Y100L	80/16	Y100L2-4	3	874	22.5	560	800	125	385	357	495	270	440	
PAD80/20-Y132M	80/20	Y132M-4	7.5	1109	22.5	750	1000	125	510	357	520	270	483	
PAD80/26-Y160M	80/26	Y160M-4	11	1214	20	800	1100	140	615	407	570	290	550	
Base Model	pump Model	motor		Pump installation size (mm)										
		Model	(kw)	L	L1	L2	L3	L4	L5	B	H	H1	H2	c
PAD80/32-Y180M	80/32	Y180M-4	18.5	1299	20	850	1150	140	700	407	655	340	615	
PAD80/32-Y160L	80/32A	Y160L-4	15	1269					670				600	
PAD80/40-Y200L	80/40				Y200L-4	30	1431	20	1000	1300	140	770	417	725
	80/40A													
	80/40B													
PAD80/40-Y180L	80/40C	Y180L-4	22	1401	20	950	1250	140	740	407	655	340	645	
PAD100/16-Y132S	100/16	Y132S-4	5.5	1069		29	700		1000				140	470
PAD100/20-Y160M	100/20	Y160M-4	11	1214	20	800	1100	140	615	357	570	290	503	
PAD100/26-Y160L	100/26	Y160L-4	15	1284	20	850	1150	140	670	407	595	315	575	
PAD100/32-Y180L	100/32	Y180L-4	22	1354	20	900	1200	140	740	407	655	340	615	
	100/32A													
PAD100/32-Y180M	100/32B	Y180M-4	18.5	1314	40	850	1150	180	700	507	725	370	705	
PAD100/40-Y225M	100/40	Y225M-4	45	1519					845					
PAD100/40-Y225S	100/40A	Y225S-4	37	1489	40	1050	1350	180	815	507	725	370	705	
	100/40B													
PAD100/40-Y200L	100/40C	Y200L-4	30	1444	40	1000	1300	180	770	507	725	370	675	
PAD125/20-Y160M	125/20	Y160M-4	11	1229		20	800		1100				140	615
PAD125/26-Y180L	125/26	Y180L-4	22	1354	20	900	1200	140	740	407	695	340	615	
	125/26A								700					
PAD125/26-Y180M	125/26B	Y180M-4	18.5	1314	40	850	1150	180	770	507	725	370	675	
PAD125/32-Y200L	125/32	Y200L-4	30	1444		1000	1300							740
PAD125/32-Y180L	125/32A				Y180L-4	22	1414	40	1150	1500	180	985	557	805
	125/32B	740	645											
PAD125/40-Y280S	125/40	Y280S-4	75	1679	40	1100	1450	180	910	507	805	405	770	
PAD125/40-Y250M	125/40A	Y250M-4	55	1604		1050	1350		845				740	
	125/40B				740	645								
PAD125/40-Y225M	125/40C	Y225M-4	45	1539	40	900	1200	180	700	537	770	370	645	
PAD150/20-Y180M	150/20	Y180M-4	18.5	1361		40	1000		1300				180	770
PAD150/26-Y200L	150/26	Y200L-4	30	1464	40	1000	1300	180	770	457	695	340	645	
PAD150/32-Y250M	150/32	Y250M-4	55	1609	45	1100	1350	180	910	537	770	370	735	
PAD150/32-Y225M	150/32A	Y225M-4	45	1544					845				705	
PAD150/32-Y225S	150/32B	Y225S-4	37	1514	40	1200	1550	180	815	557	855	405	805	
PAD150/40-Y280M	150/40	Y280M-4	90	1729					1035					
PAD150/40-Y280S	150/40A	Y280S-4	75	1679	40	1150	1500	180	985	557	855	405	805	
	150/40B													

4

PAD150/40-Y250M	150/40C	Y250M-4	55	1604		1100	1450		910	537			770	
PAD200/32-Y280S	200/32	Y280S-4	75	1839	50	1300	1650	200	985	577	885	405	805	
PAD200/32-Y250M	200/32A	Y250M-4	55	1764		1250	1600		910	770				
	200/32B													
Base Model	pump Model	motor			Pump installation size (mm)									
		Model	(kw)	L	L1	L2	L3	L4	L5	B	H	H1	H2	c
PAD200/32-Y225M	200/32C	Y225M-4	45	1699	50	1150	1500	200	845	577	885	405	740	
PAD200/40-Y315M1	200/40	Y315M1-4	132	2154		1450	1800		1300	607			955	
PAD200/40-Y315S	200/40A	Y315S-4	110	2124		1270	1035		577	905			425	
PAD200/40-Y280M	200/40B	Y280M-4	90	1889		1350	1700		985	825				
	200/40C													
PAD200/40-Y280S	200/40D	Y280S-4	75	1839		1300	1650							
	200/40E													

### Flange

Model	inlet flange					outlet flange				
	Dg1	D	D1	D2	n-d1	Dg2	D'	D1	D2	n-d1
PA32/13	50	100	125	165	4-φ 18	32	75	100	140	4-φ 18
PA32/16										
PA32/20										
PA32/26										
PA40/13	65	122	145	185	4-φ 18	40	88	110	150	4-φ 18
PA40/16										
PA40/20										
PA40/26										
PA40/32										
PA40/32H										
PA40/32G										
PA50/13	65	122	145	185	4-φ 18	50	100	125	165	4-φ 18
PA50/16										
PA50/20										
PA50/26										
PA50/32										
PA50/32H										
PA50/32G										
PA65/13	80	138	160	200	8-φ 18	65	122	145	185	4-φ 18
PA65/16										
PA65/20										
PA65/26										
PA65/32										
PA65/32H										

PA65/32G										
PA80/16	100	158	180	220	8- $\phi$ 18	80	138	160	200	8- $\phi$ 18
PA80/20										
PA80/26										
PA80/32										
Model	inlet flange					outlet flange				
	Dg1	D	D1	D2	n-d1	Dg2	D'	D1	D2	n-d1
PA80/32H	100	158	180	220	8- $\phi$ 18	80	138	160	200	8- $\phi$ 18
PA80/32G										
PA80/40										
PA100/16	125	188	210	250	8- $\phi$ 18	100	158	180	220	8- $\phi$ 18
PA100/20										
PA100/26										
PA100/32										
PA100/40										
PA125/20	150	212	240	185	8- $\phi$ 22	125	188	210	250	8- $\phi$ 18
PA125/26										
PA125/32										
PA125/40										
PA150/20	200	268	295	340	12- $\phi$ 22	150	212	240	185	8- $\phi$ 22
PA150/26										
PA150/32										
PA150/40										
PA200/26	250	320	350	405	12- $\phi$ 26	200	268	295	340	12- $\phi$ 22
PA200/32										
PA200/40										
PA250/32	300	376	410	460	12- $\phi$ 26	250	320	350	405	12- $\phi$ 26
PA250/40										