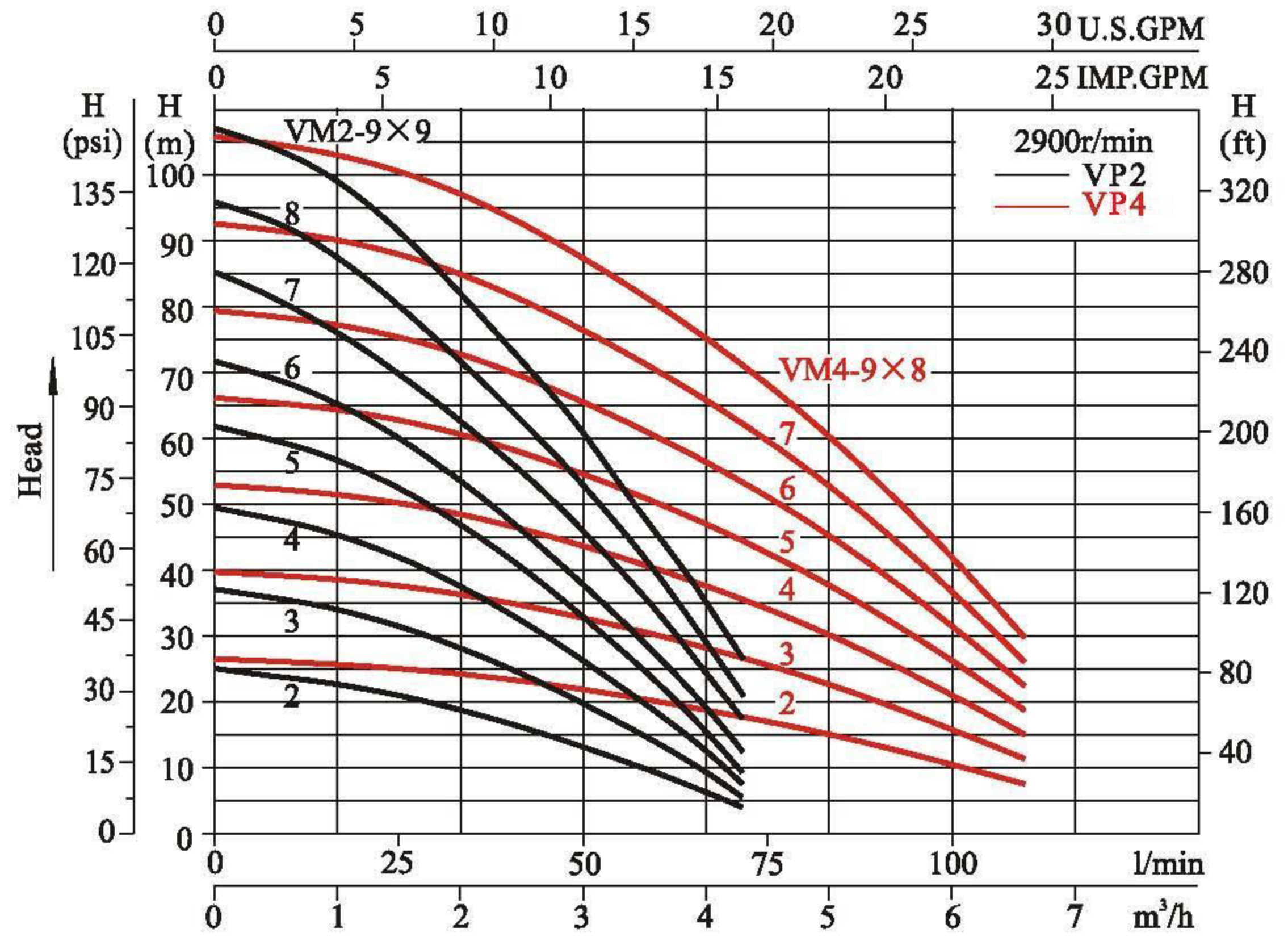


VP2/VP4.....立式多级离心泵

(Vertical multistage centrifugal pump)

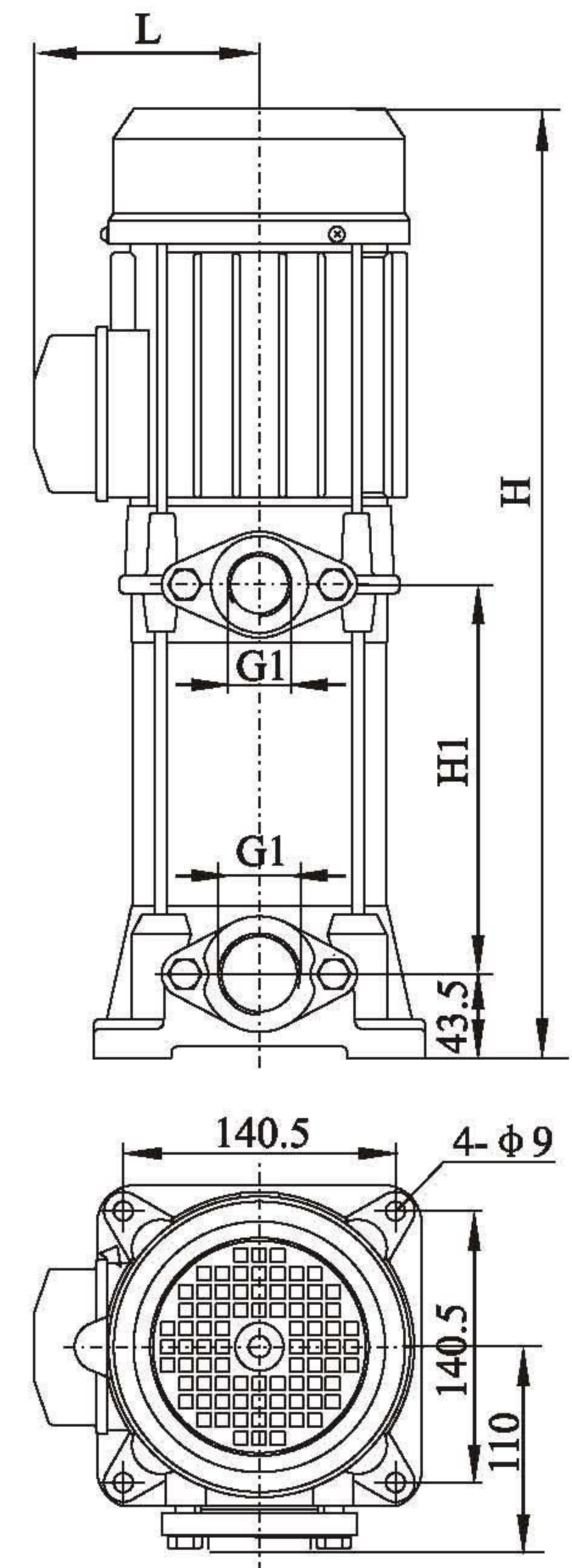


性能曲线 Performance curves



安装外形图 Shape and size of Installation

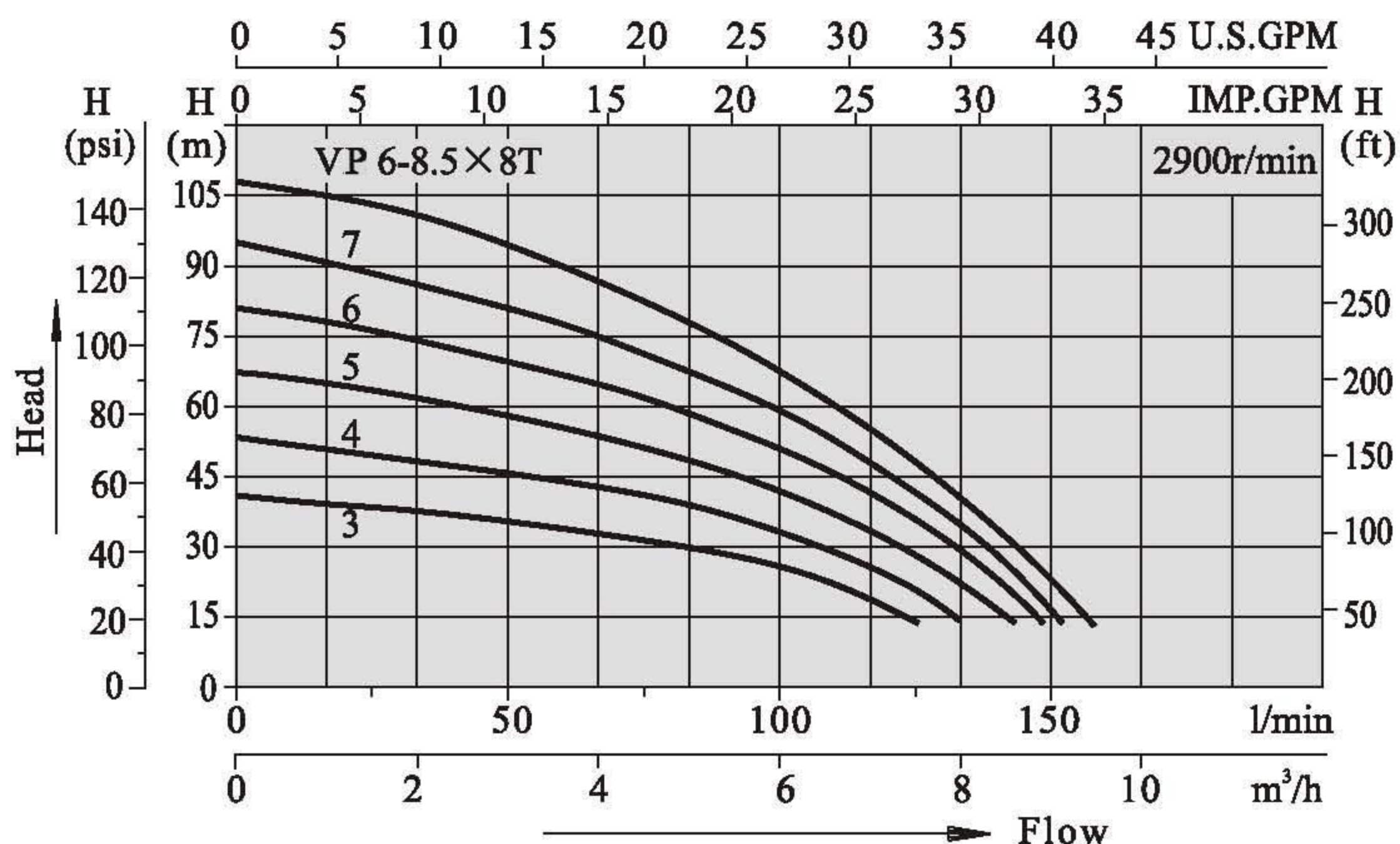
型号 Model		功率 Power(P ₂) (kW)	外形尺寸 Shape size (mm)			重量 Weight (Kg)	包装尺码 Packing size (mm)	装柜数量 (Qty/20')
220V/50Hz	380V/50Hz		L	H	H1			
VP 2-9×2	VP 2-9×2T	0.37	132	380	121	15.5	435×220×300	975
VP 2-9×3	VP 2-9×3T	0.55		405	145	16	460×220×300	920
VP 2-9×4	VP 2-9×4T	0.75		430	168	17	485×220×300	875
VP 2-9×5	VP 2-9×5T	1.0		455	193	18	510×220×300	830
VP 2-9×6	VP 2-9×6T	1.0		478	217	19	535×220×300	790
VP 2-9×7	VP 2-9×7T	1.1		538	249	22	595×220×300	715
VP 2-9×8	VP 2-9×8T	1.5	140	562	273	23	615×220×300	670
VP 2-9×9	VP 2-9×9T	1.5		586	297	24	640×220×300	660
VP 4-9×2	VP 4-9×2T	0.33	132	380	121	16	435×220×300	975
VP 4-9×3	VP 4-9×3T	0.55		405	145	17	460×220×300	920
VP 4-9×4	VP 4-9×4T	0.75		430	169	18	485×220×300	875
VP 4-9×5	VP 4-9×5T	1.0	140	490	201	20	545×220×300	775
VP 4-9×6	VP 4-9×6T	1.5		514	225	23	570×220×300	745
VP 4-9×7	VP 4-9×7T	1.5		538	249	24	595×220×300	715
VP 4-9×8	VP 4-9×8T	2.2		562	273	26	615×220×300	670



VP6.....立式多级离心泵

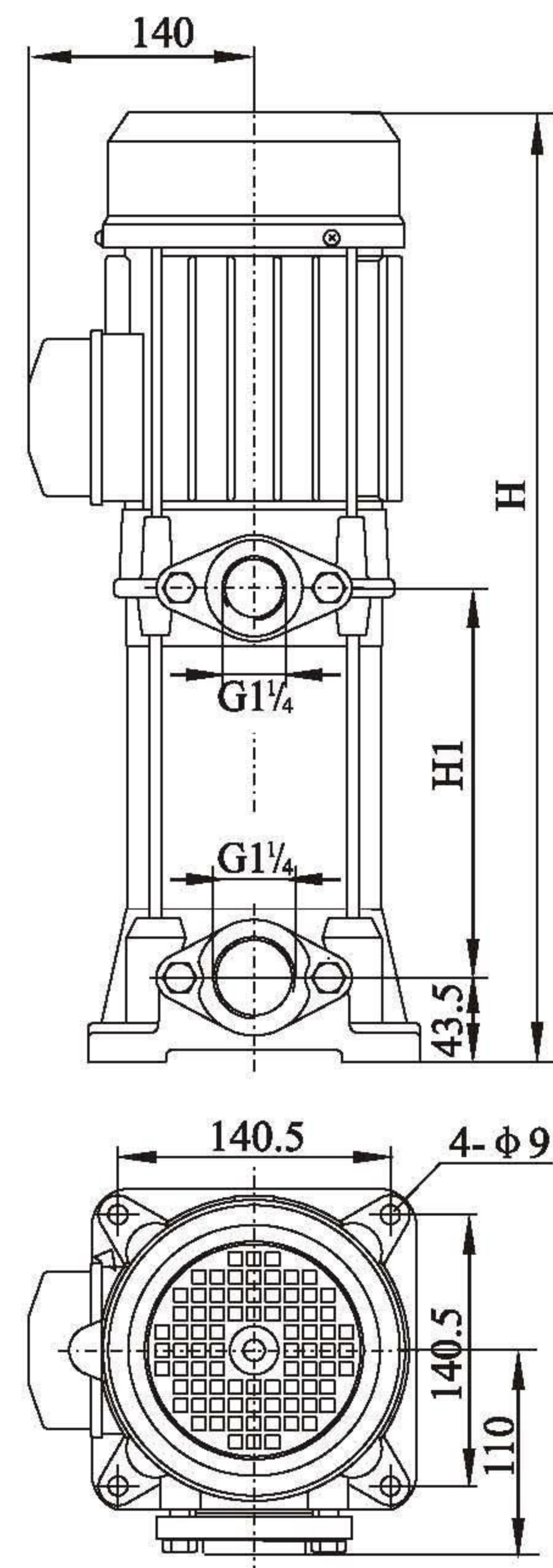
(Vertical multistage centrifugal pump)

性能曲线 Performance curves



安装外形图 Shape and size of Installation

型号 Model		功率 Power(P ₂) (kW)	外形尺寸 Shape size (mm)		重量 Weight (Kg)	包装尺码 Packing size (mm)	装柜数量 (Qty/20')
220V/50Hz	380V/50Hz		H	H1			
VP 6-8.5×3	VP 6-8.5×3T	1.1	480	191	20	495×220×300	860
VP 6-8.5×4	VP 6-8.5×4T	1.5	517	228	21	570×220×300	745
VP 6-8.5×5	VP 6-8.5×5T	2.2	554	266	22	610×220×300	695
VP 6-8.5×6	VP 6-8.5×6T	2.2	591	302	23	645×220×300	660
VP 6-8.5×7	VP 6-8.5×7T	3.0	668	339	25	720×220×300	590
VP 6-8.5×8	VP 6-8.5×8T	3.0	705	376	26	760×220×300	560

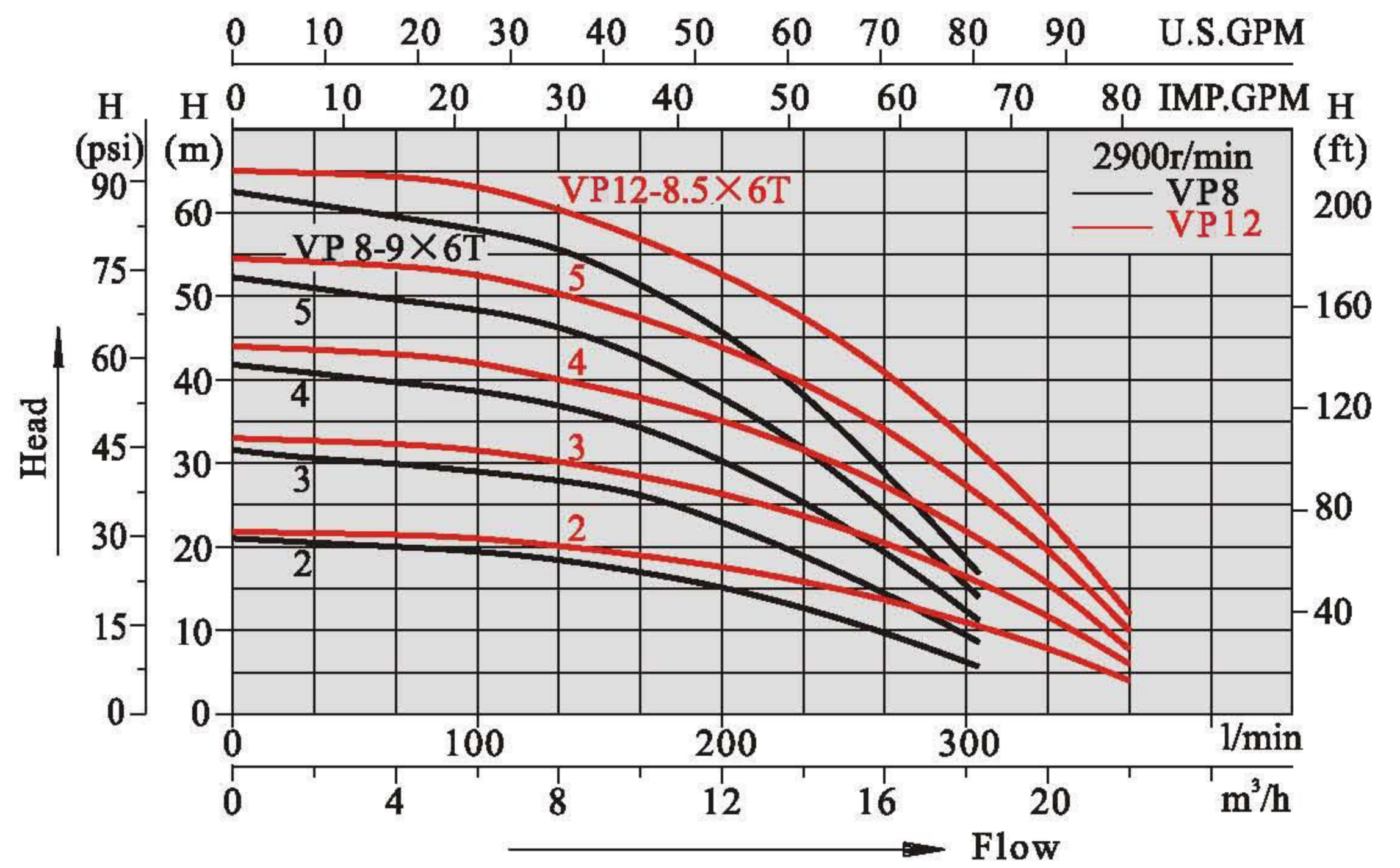


VP8/VP12.....立式多级离心泵

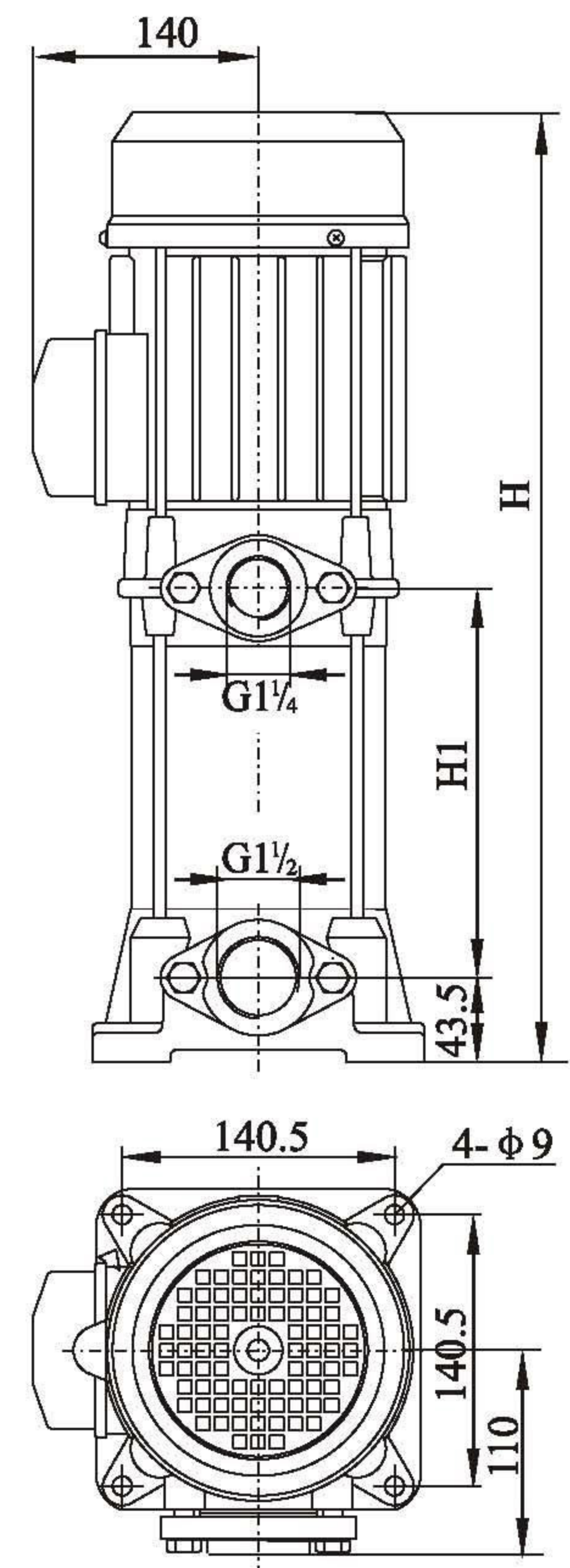
(Vertical multistage centrifugal pump)



性能曲线 Performance curves



安装外形图 Shape and size of Installation



型号 Model		功率 Power(P ₂) (kW)	外形尺寸 Shape size (mm)		重量 Weight (Kg)	包装尺码 Packing size (mm)	装柜数量 (Qty/20')
220V/50Hz	380V/50Hz		H	H1			
VP 8-9×2	VP 8-9×2T	1.1	445	155	21	500×220×300	850
VP 8-9×3	VP 8-9×3T	1.1	484	194	22	540×220×300	785
VP 8-9×4	VP 8-9×4T	1.5	523	233	23	580×220×300	730
—	VP 8-9×5T	2.2	562	272	25	615×220×300	690
—	VP 8-9×6T	3.0	640	311	26	695×220×300	610
VP 12-8.5×2	VP 12-8.5×2T	1.1	446	155	22	500×220×300	850
VP 12-8.5×3	VP 12-8.5×3T	1.5	485	194	24	540×220×300	785
—	VP 12-8.5×4T	2.2	523	233	26	580×220×300	730
—	VP 12-8.5×5T	3.0	602	272	27	655×220×300	650
—	VP 12-8.5×6T	3.0	640	311	28	695×220×300	610